

**FALLPROTEC**

Height Safety Products

+352 26 55 09 30 | [www.fallprotec.com](http://www.fallprotec.com)

# FALLPROTEC

LIGHTWEIGHT SOLUTIONS  
FOR FACADE MAINTENANCE







📍 Amsterdam, Netherlands

Fallprotec has designed several innovative and compact solutions for facade maintenance equipments. It is thanks to the innovations that integrate the RopeClimber person lifting hoist that a significant reduction in weight of the equipment has been achieved, among which:

- Low weight of synthetic cables of 0.09kg/m for 0,25kg/m for steel cables.
- A battery power supply, which eliminates the electric cable hanging along the facade between the cradle and the suspension rig on the roof.
- Replacement of cable reels through bins for the storage of synthetic cables in the cradle.

The reduction in the weight of the cradle leads to a lighter weight of the suspension rig. It is easily dismantlable by persons if required. Also, special equipments such as cranes are not needed. The light installation generates very low reactions on the building or host structure. The lifting and transverse movements are powered by battery. Fallprotec offers a wide variety of solutions ranging from the motorized or manual trolleys, the davit and monorail tracks, to a single or two men cradle or a suspended chair.

This document highlights the main features of the access equipment provided by Fallprotec. For more detailed information please contact your sale representative.

## CHOOSING FALLPROTEC MEANS

EN1808: 2015

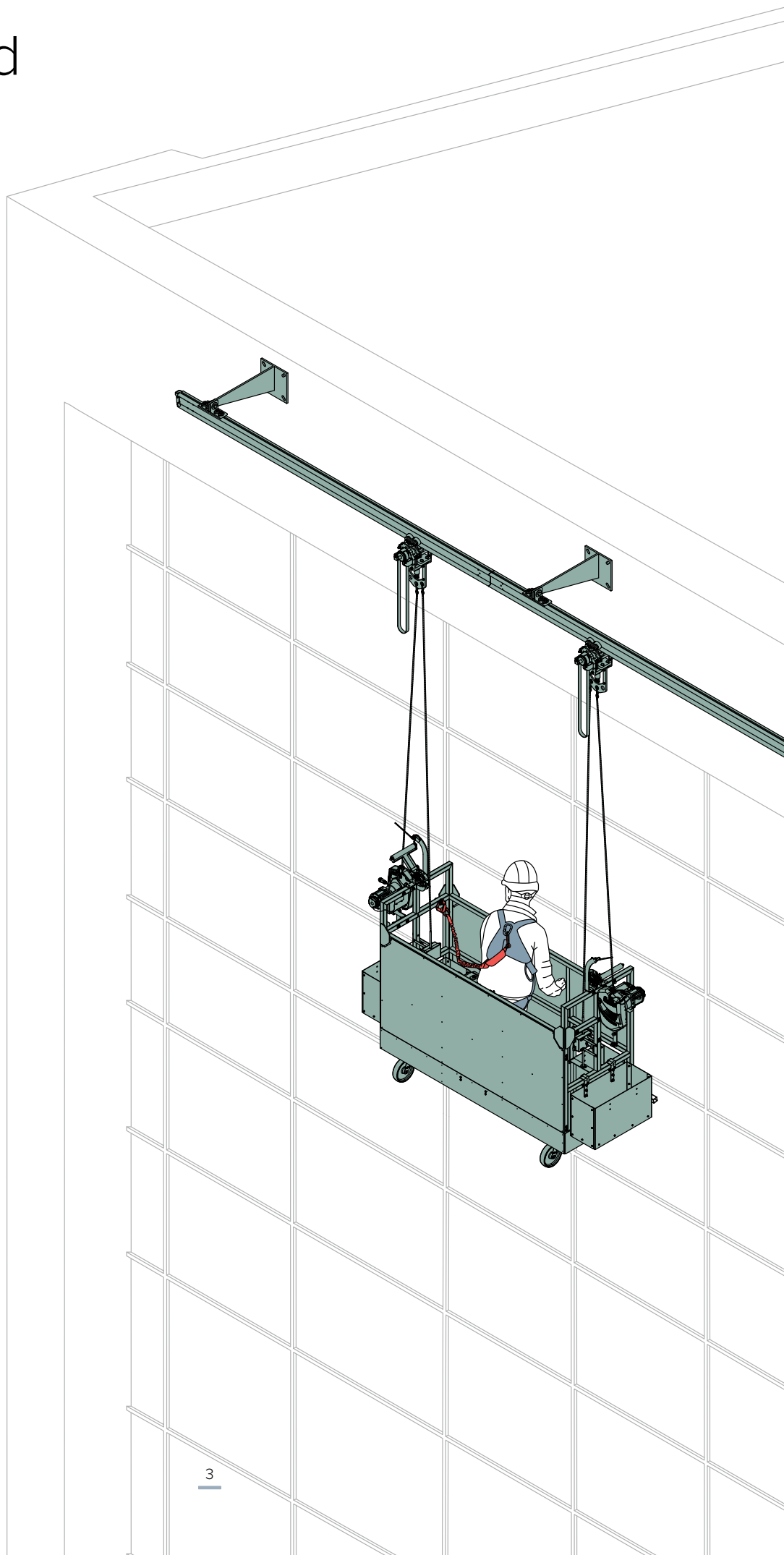


- One reference for global assistance
- Certified by independent notifying bodies as per latest European
- Quality control: ISO9001:2015. E.C. Quality of Production « Article 11B »
- Product liability insurance
- Warranty
- One-Stop-Shop
- Personalized support from design stage to realization

# Suspended platforms

Facade maintenance is a tricky operation that requires adapted equipment. Several factors have to be taken into account:

- Number of cleaners
- Surface to be cleaned
- Width and height of the building
- Space available on the roof to suspend equipment dedicated to maintenance
- Power supply on top of the building
- Space available to store the equipment when not in use



Suspended platforms are a light solution for the cleaning of facades. Powered by battery, which solves the issues revolving around the handling of electric cables.

The two-men cradle has a useful surface of 2 x 0.6 m and can accommodate two people or a payload of 240 kg.

The cradle structure is made of aluminum with solid panels on the front and rear.

The lines are synthetic cables with a diameter of 12 mm, with a breaking strength of 30 kN.

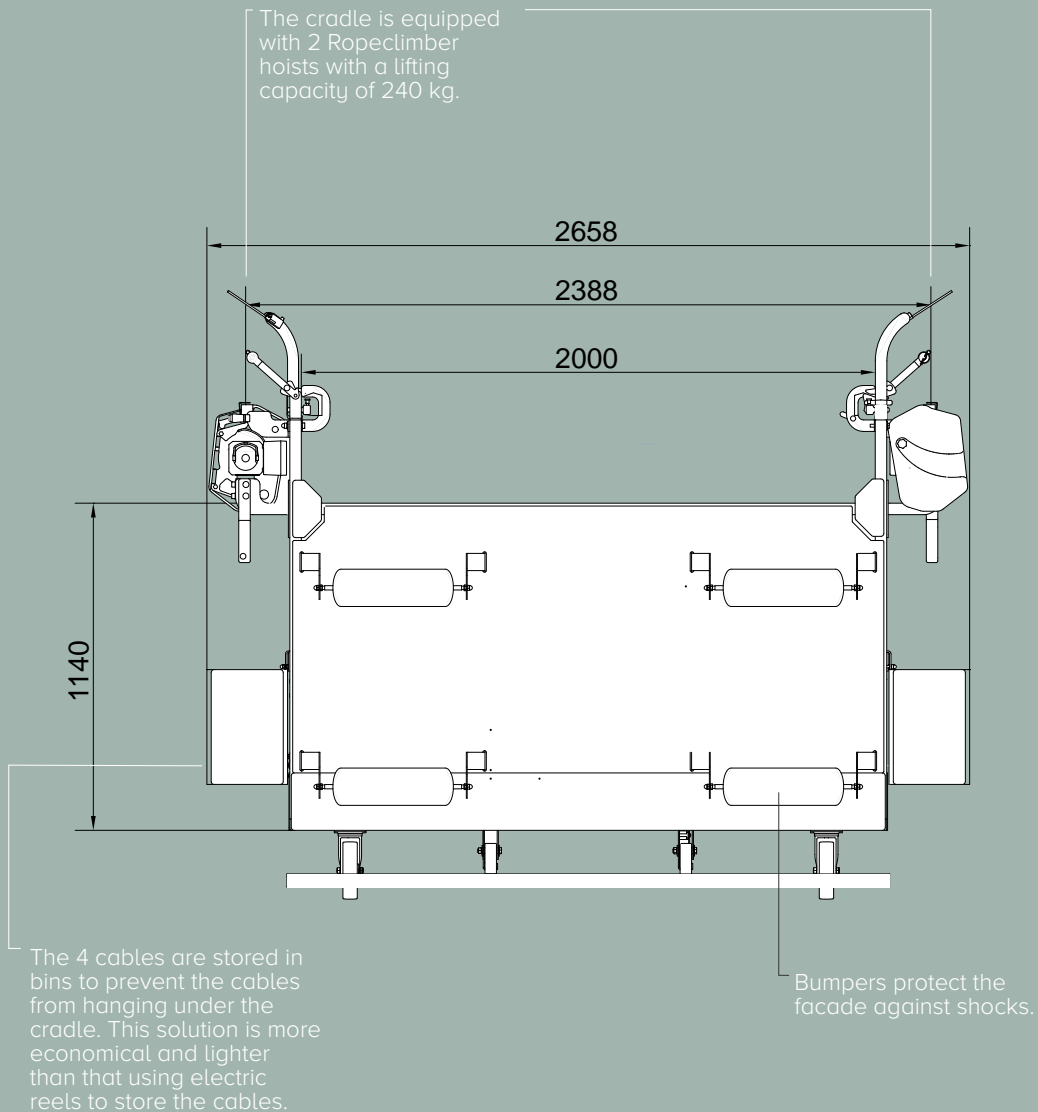
Two fall arresters protect the cradle against falls in the event of the hoist malfunctioning.

A centralized electric box receives the control push buttons, in the case of a motorized trolley, an HF control allows remote control of the trolleys. In the electrical box are stored two batteries ensuring the

EN1808:2015



x 2



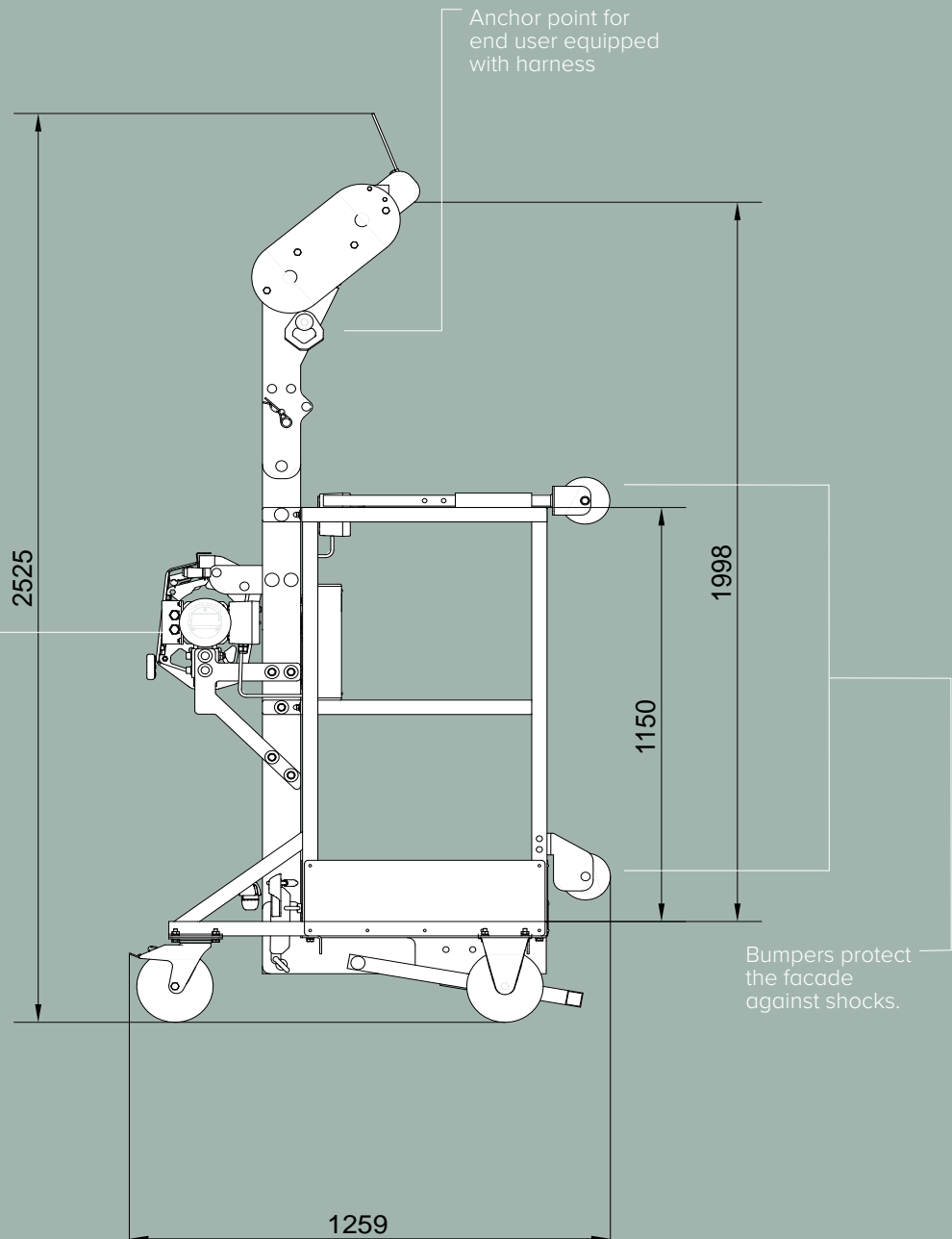


The one man cradle has a useful surface of 0.6 x 0.6 m and accommodates a person or a payload of 120 kg. The basket structure is made of aluminum with solid panels on the front and rear. The lines are synthetic cables with a diameter of 12 mm, with a breaking strength of 30 kN. A fall arrester protects the cradle against falls in the event of the hoist malfunctioning. A centralized electric box receives the control push buttons. In the case of a motorized trolley, an HF control allows remote control of the trolley. In the electrical box is stored a battery ensuring the functioning of the cradle during 8 hours of work.

EN1808:2015

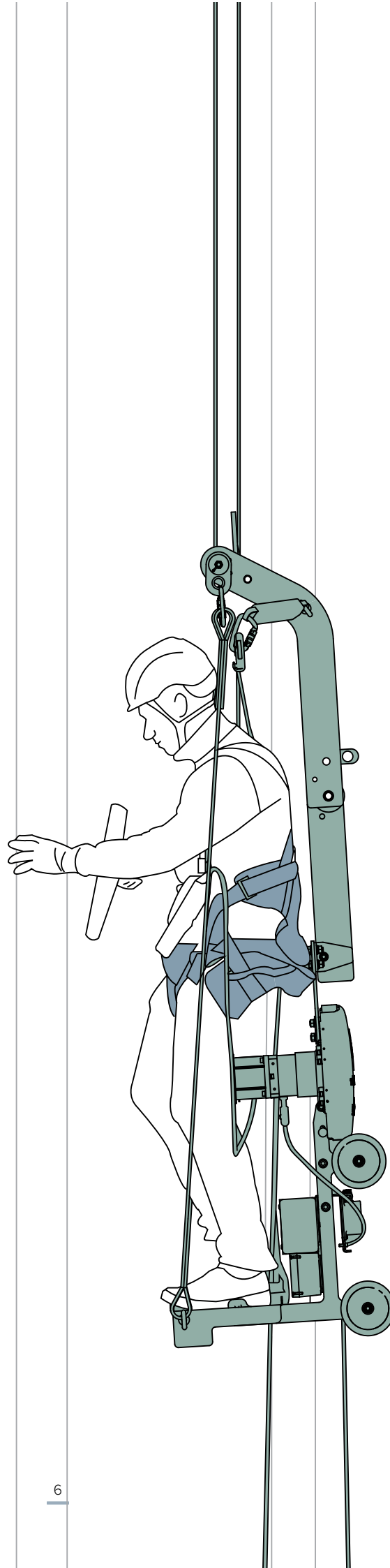


x 1



# RopeClimber stand-sit

The stand-sit is a hybrid system allowing the user to work seated as well as standing, so the worker has a wide range of motion and of reach, including over his head. The position of the RopeClimber hoist, below the centre of gravity of the person, increases their “in air” stability. A set of wheels makes it easy to transport.



—  
For small surfaces or facades on which it is not possible to install a cradle, the RopeClimber is the ideal solution. Usable by anyone with just a day training, it allows the user to move freely along the facade.

This versatile equipment is a cost-efficient solution, lightweight and compact with an optimized time of installation. The RopeClimber is ergonomic and comfortable for people working at height.

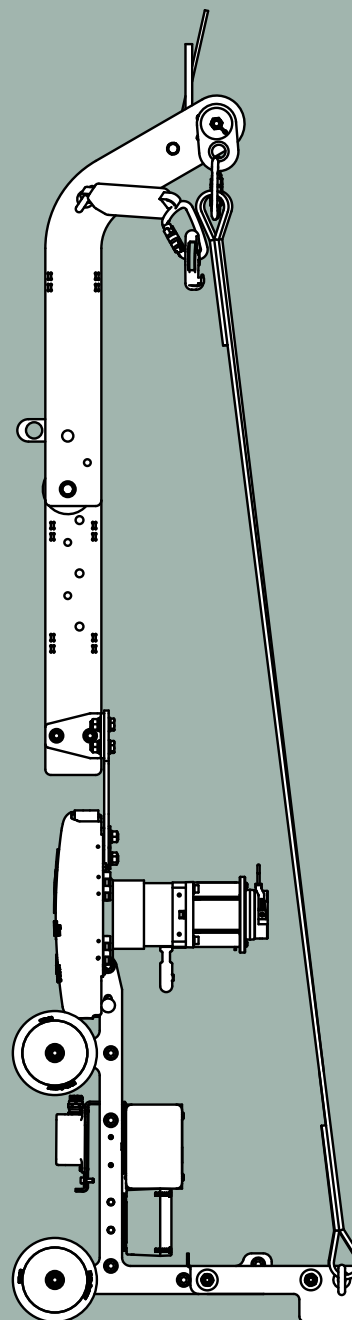


Click here to follow the product YouTube playlist

EN1808:2015



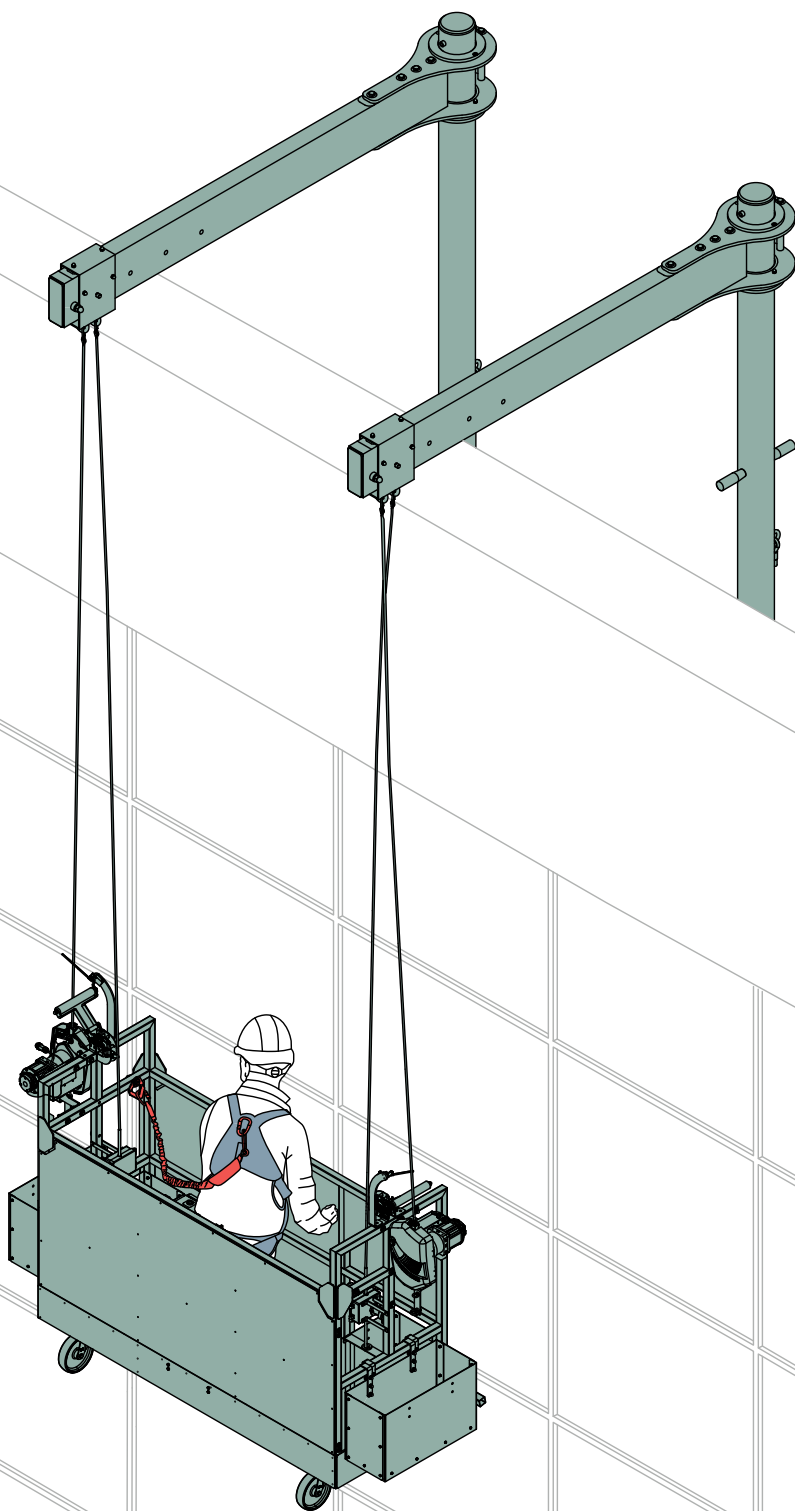
- Safety features: fall arrest device on the secondary rope, overload and top limit switch
- Push buttons control box with emergency stop
- Easy use, training as professional climber is not required
- LED that informs about the state of charge of the battery as well as safety features
- Battery powered





# Suspension rig

The total suspended load of the suspension rig is ranging from 240 kg to 480 kg with an overhang depending of the models ranging from 1,6 to 2,3 m. The suspension rig may be fixed on the roof or mobile mounted on wheels.



—  
To clean a facade of small surface the davit is a discreet solution.

To fix the davit on the roof, a series of sockets are installed along or on the parapet. Several types of sockets are standardised, two sockets on roof slab and one socket on parapet. It can be custom-made upon request.



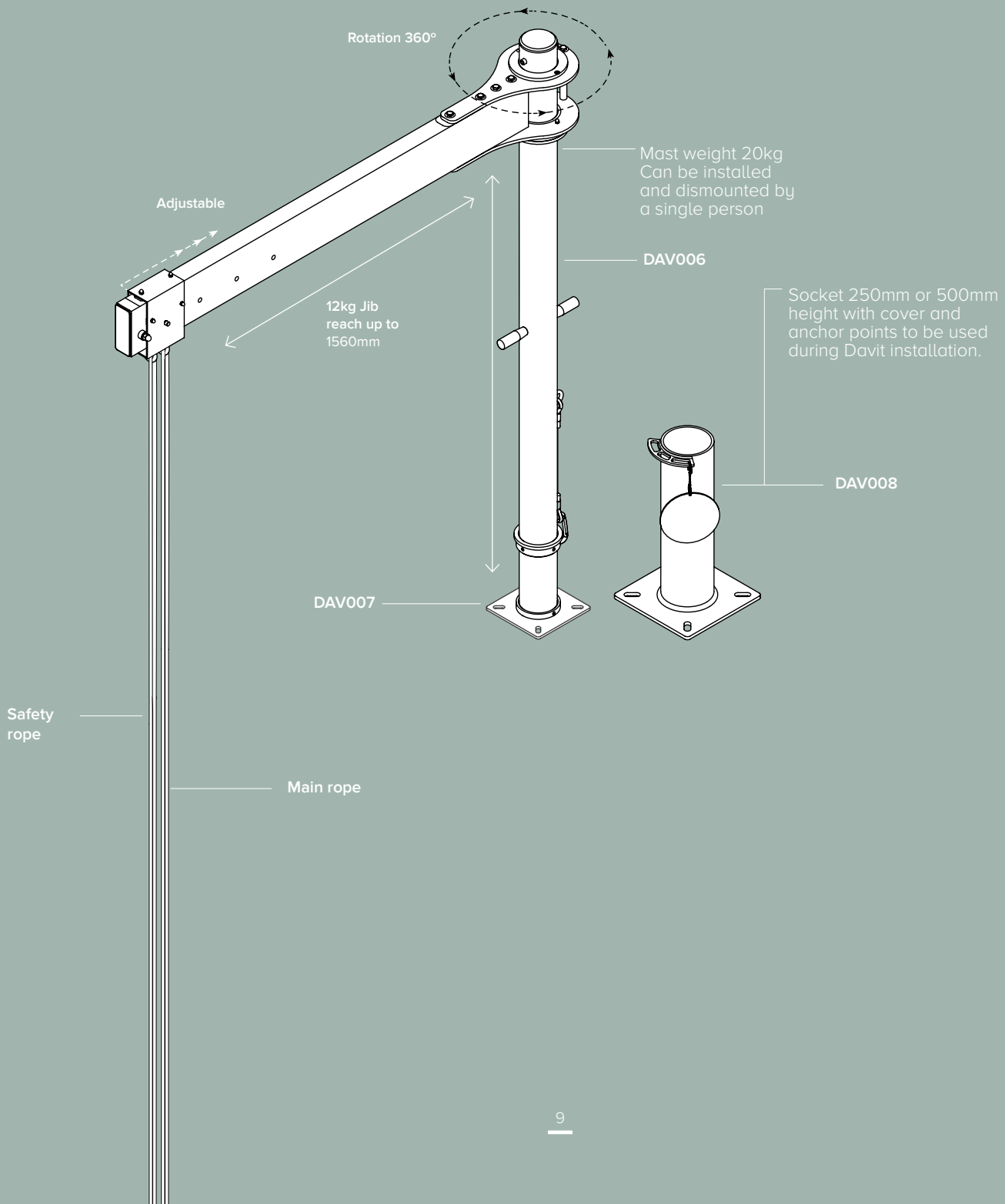
Click here to follow the product YouTube playlist

BS8610:2017 | EN1808:2015



x 1

### Davit arm

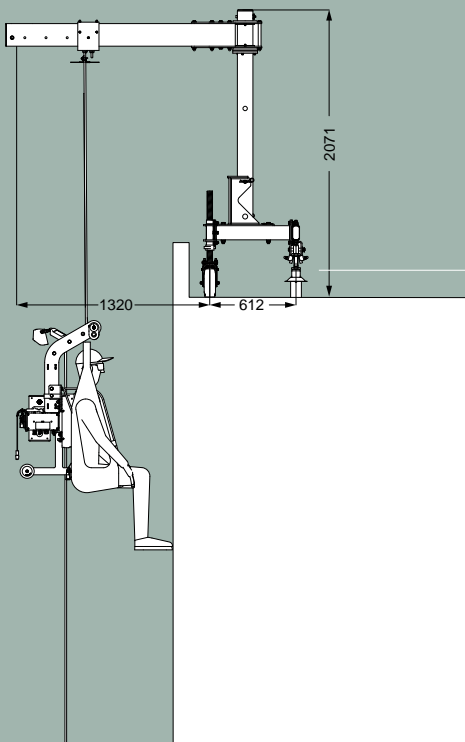


In parking position, the mast is tilted horizontally and then removed from the trolley. In service, the jib is pivoted on the roof side to hang the synthetic cables at the 2 anchor points. A trolley traversing on the roof, the front wheels run on concrete slabs of 50x50x10 cm. These light solutions are easy to move and respect the aesthetics of the building. Usable in vertical or horizontal configuration, it is also a cost effective solution.

EN1808:2015

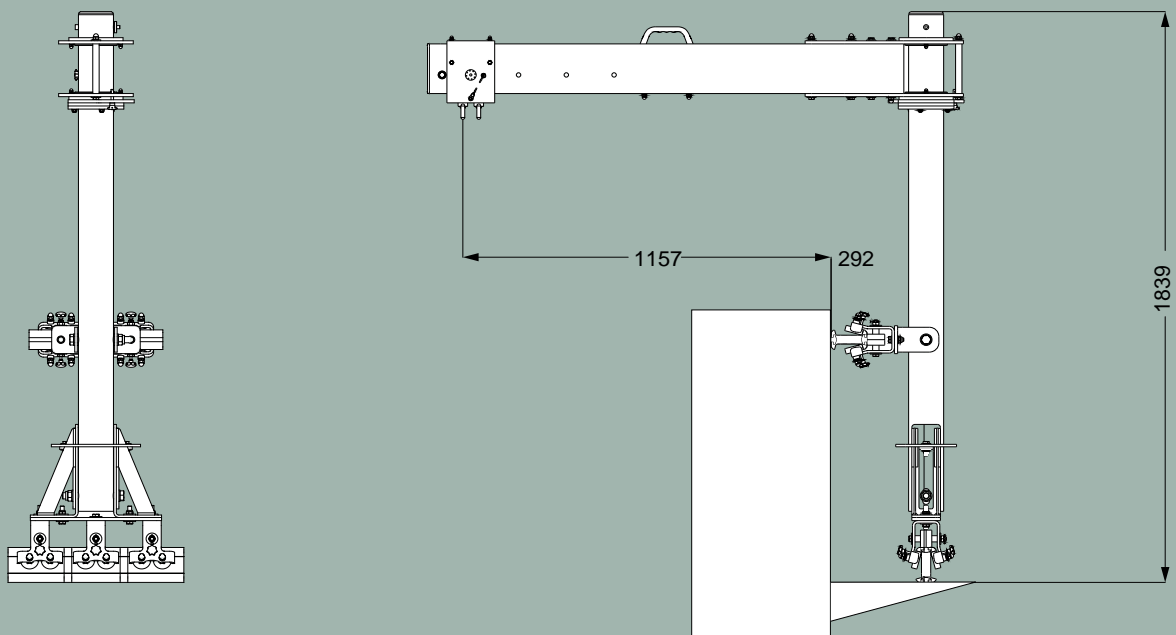
 x 1 or 2

### Mobile davit on roof



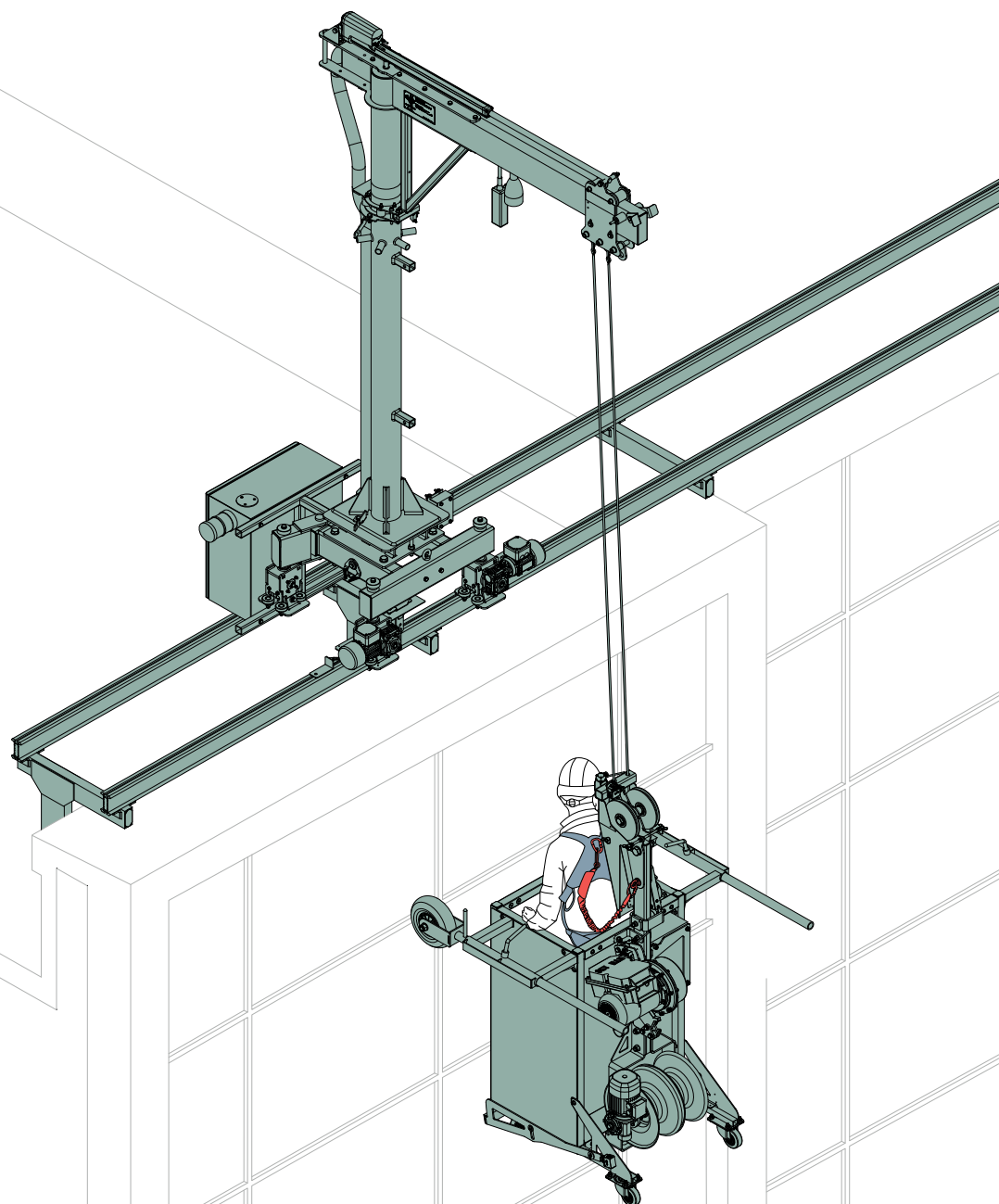
The stability of the trolley is ensured by two wheel boxes taking up the tilting moment thanks to the aluminum Safeaccess rail fixed on posts

### Mobile davit on parapet





# Powered trolley for cradles



Powered trolleys are available for larger surfaces of facade. Adapting to the construction of the building, the trolley can be operated by battery or manually. The slewing jib allows an all-around care of the facade while respecting the aesthetics of the building. All trolleys are easy to use. When the maintenance work is done, the jibs are turned 180°.

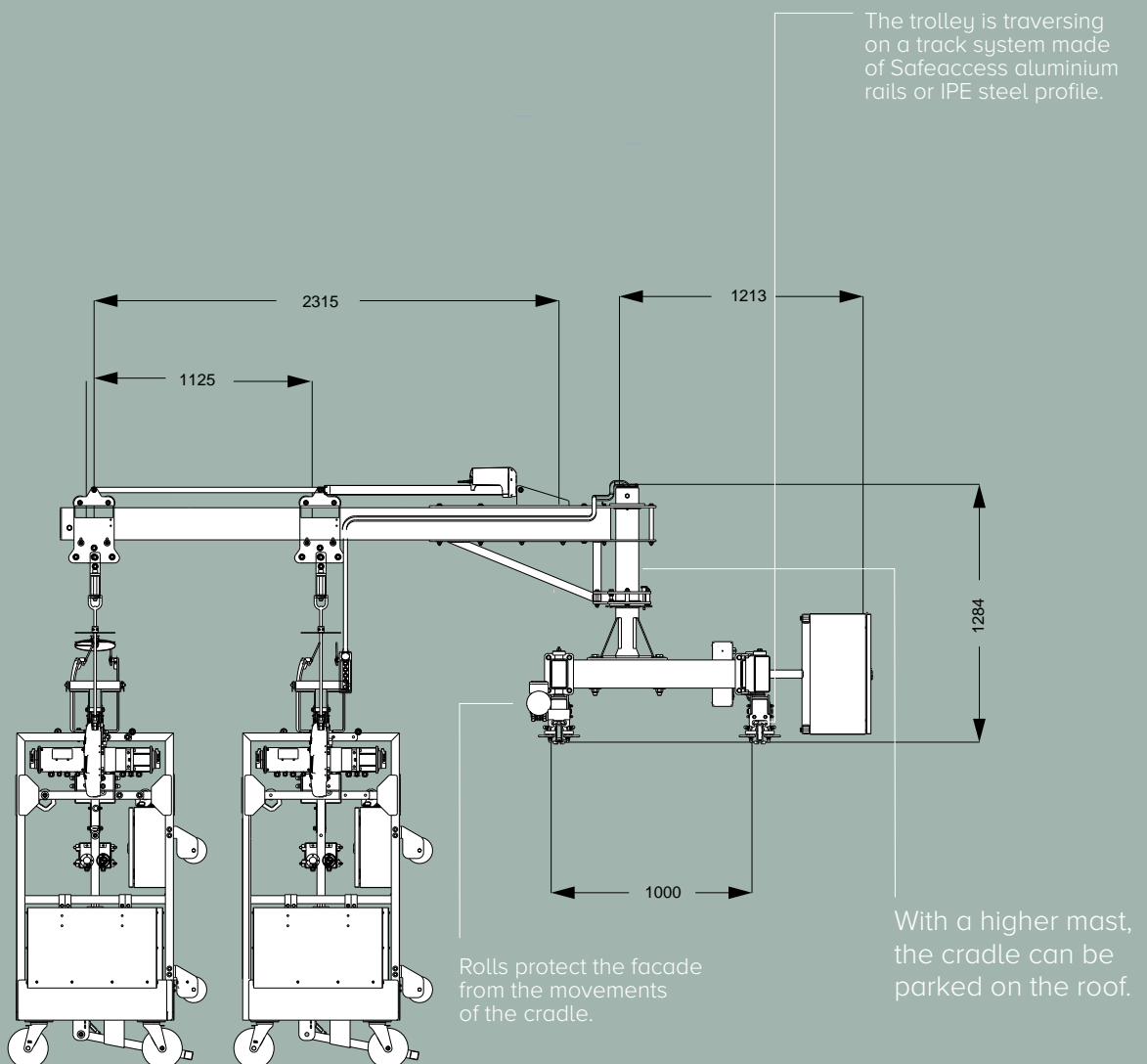
The powered trolley for one man cradle.  
The trolley is powered by a battery, no need to provide electrical power plugs on the roof, or by main supply.  
The trolley is controlled from the cradle by an HF transmission.

EN1808:2015

 x 1 or 2

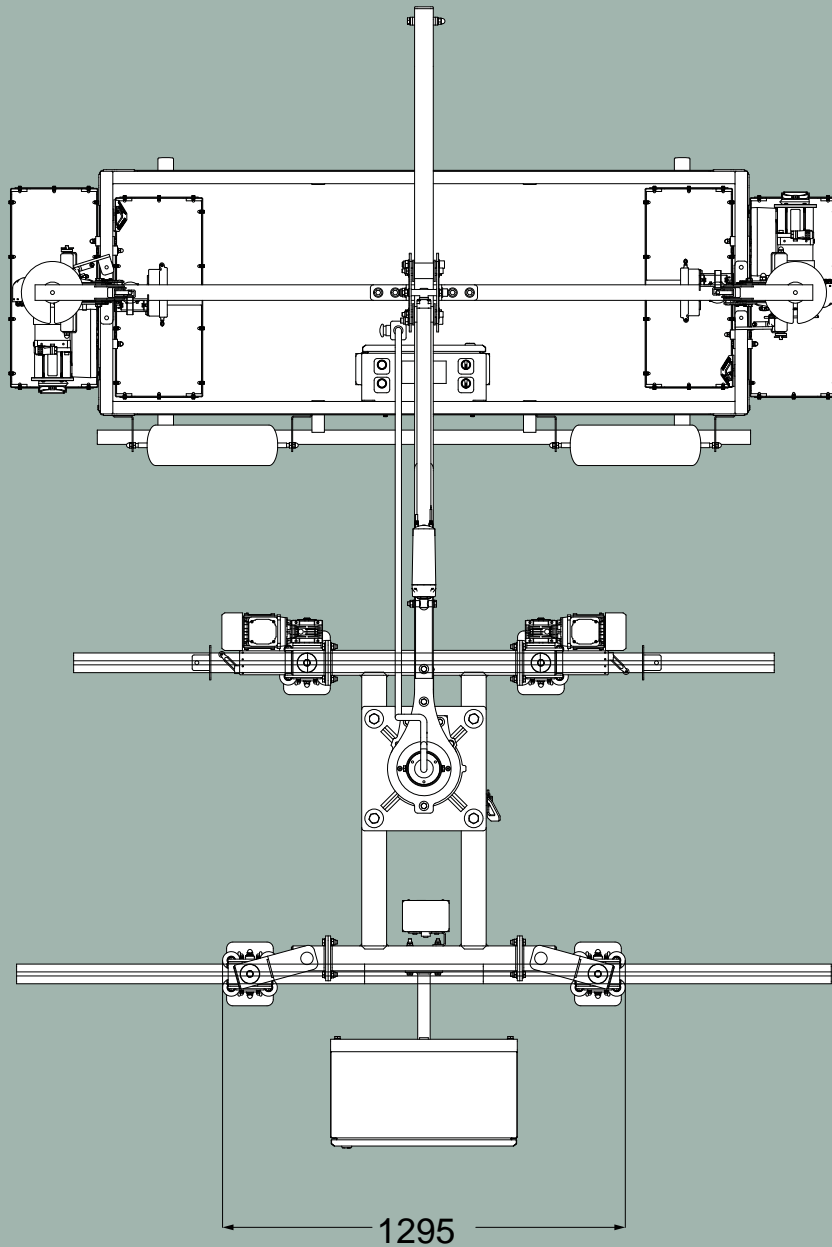


Click here to follow the product YouTube playlist



An additional crossbar is fitted at the end of the jib to attach the 4 suspension lines and a two person cradle. The cradle must be parked at the bottom of the building in a parking lot. The trolley is powered by a battery, no need to provide electrical power plugs on the roof, or by main supply. The trolley is controlled from the cradle by an HF transmission. With a more compact trolley, the cradle must be parked at the bottom of the building in a parking lot.

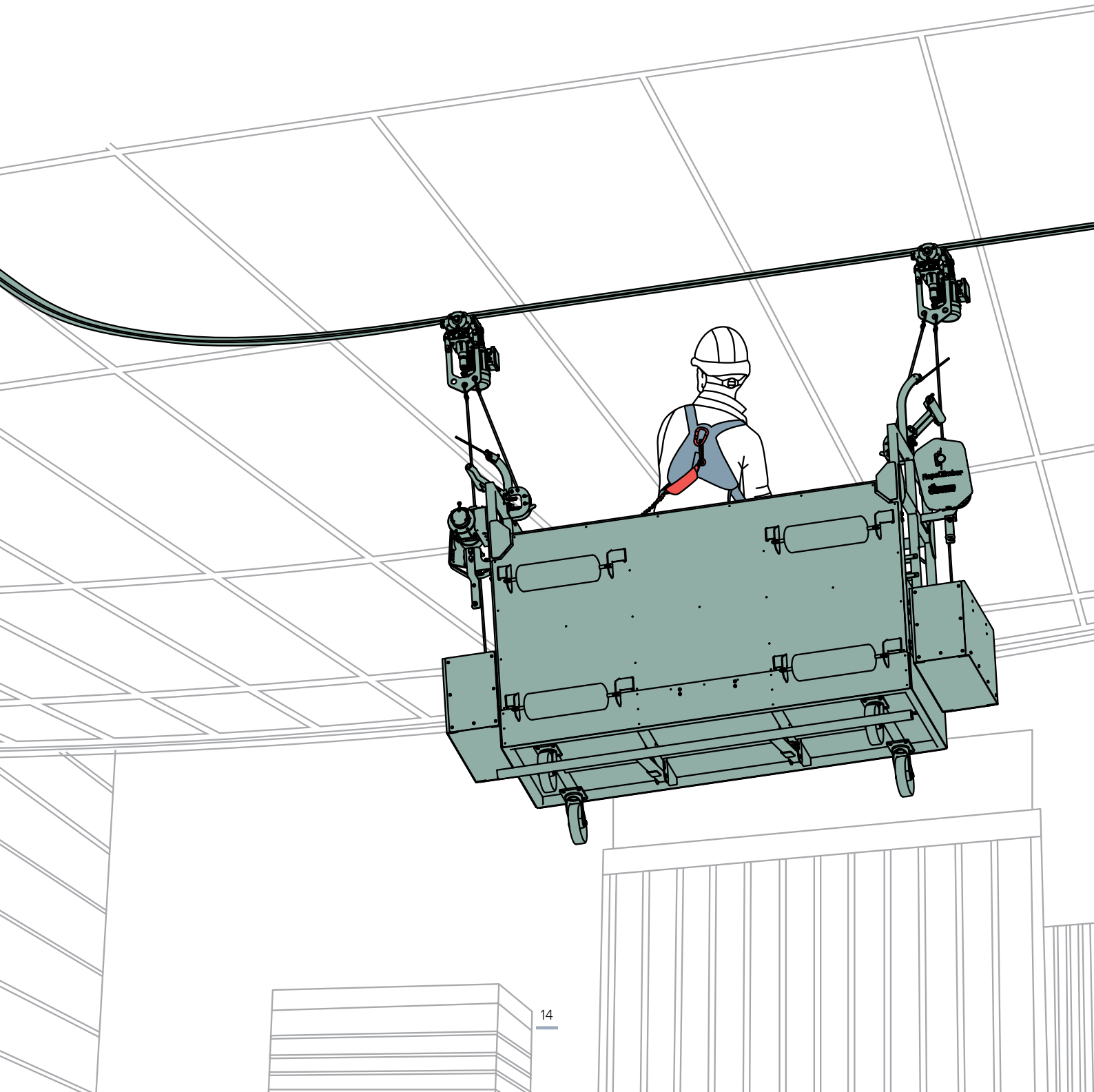
EN1808:2015





# Monorail

The monorail tracks are used as support for the suspension rigs or for rope access specialists. These versatile systems follow neatly the shape of the building. They can be bent and powder-coated in any RAL color. A privileged solution for aesthetic buildings, the SafeAccess C rail can also be hidden in the ceiling.



SafeAccess consists of an aluminium rail fixed to the structure of the building by a series of supports and one or two trolleys from which are suspended a cradle or a bosun chair. Installed at the time of construction or on an existing building, it is attached to the facade or to the ceiling for cleaning facades. NAV trolleys are either manual or

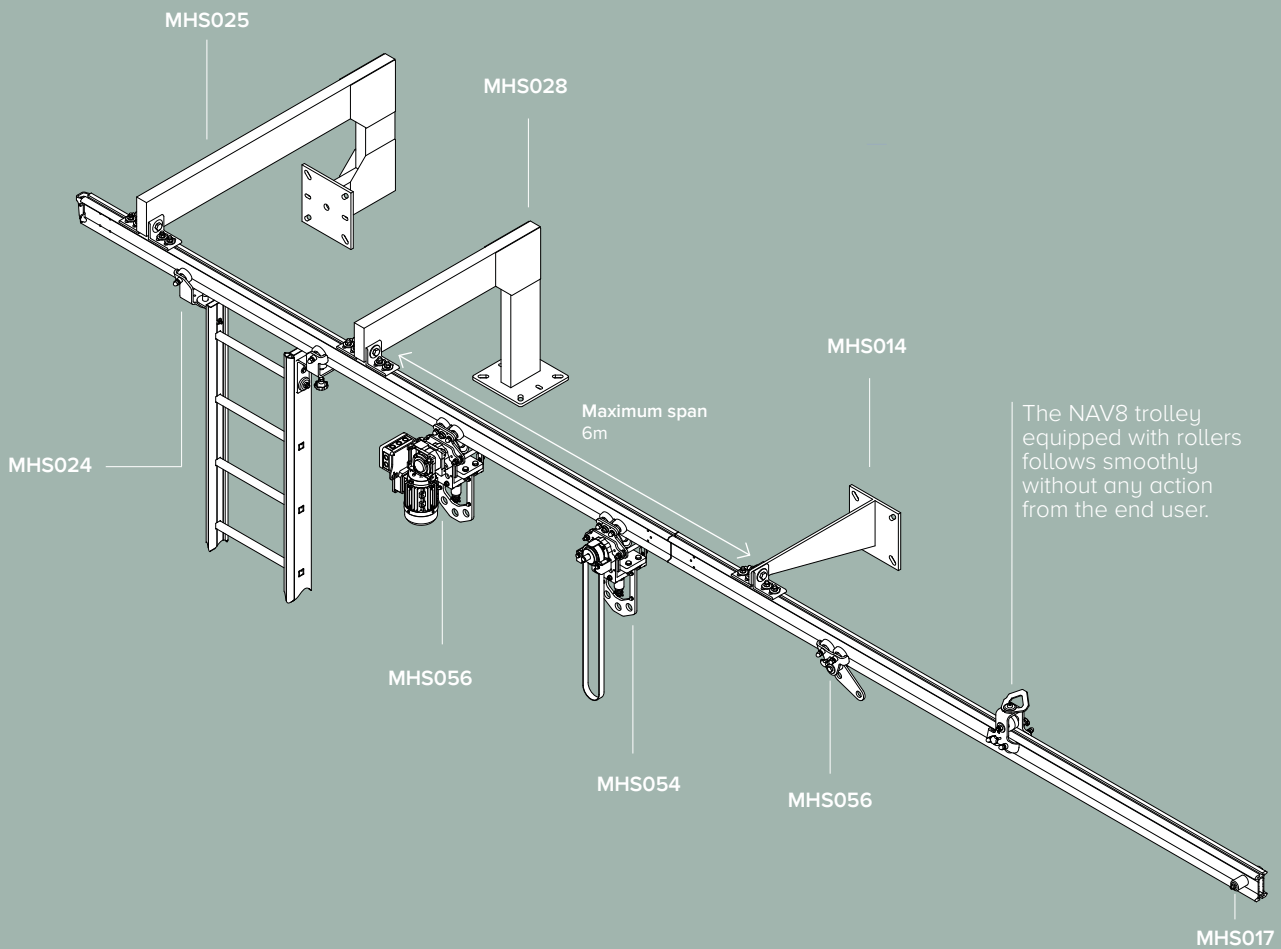
EN1808:2015



X 2 for rope access  
between supports

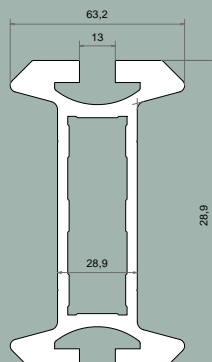


Click here to  
follow the product  
YouTube playlist



MHS059

- SafeAccess profile weights 5kg / meter.
- Delivered in lengths of 3000 or 6000mm
- Powder-coated in grey RAL7040 resisting seaside or anodized



The SafeAccess C is a discreet rail concealed in a false ceiling or under the ceiling. It integrates harmoniously with the aesthetic aspect of the building. The rail can be bent and powder coated in any RAL color. Tailor-made mounting brackets allow its exact alignment with the ceiling. The trolleys run inside the rail. Manual, motorized or battery-powered trolleys allow horizontal traversing. Compatible with rope access technicians, RopeClimber suspended chair and cradle. PILOT trolleys are either manual or motorized on mains or on battery.

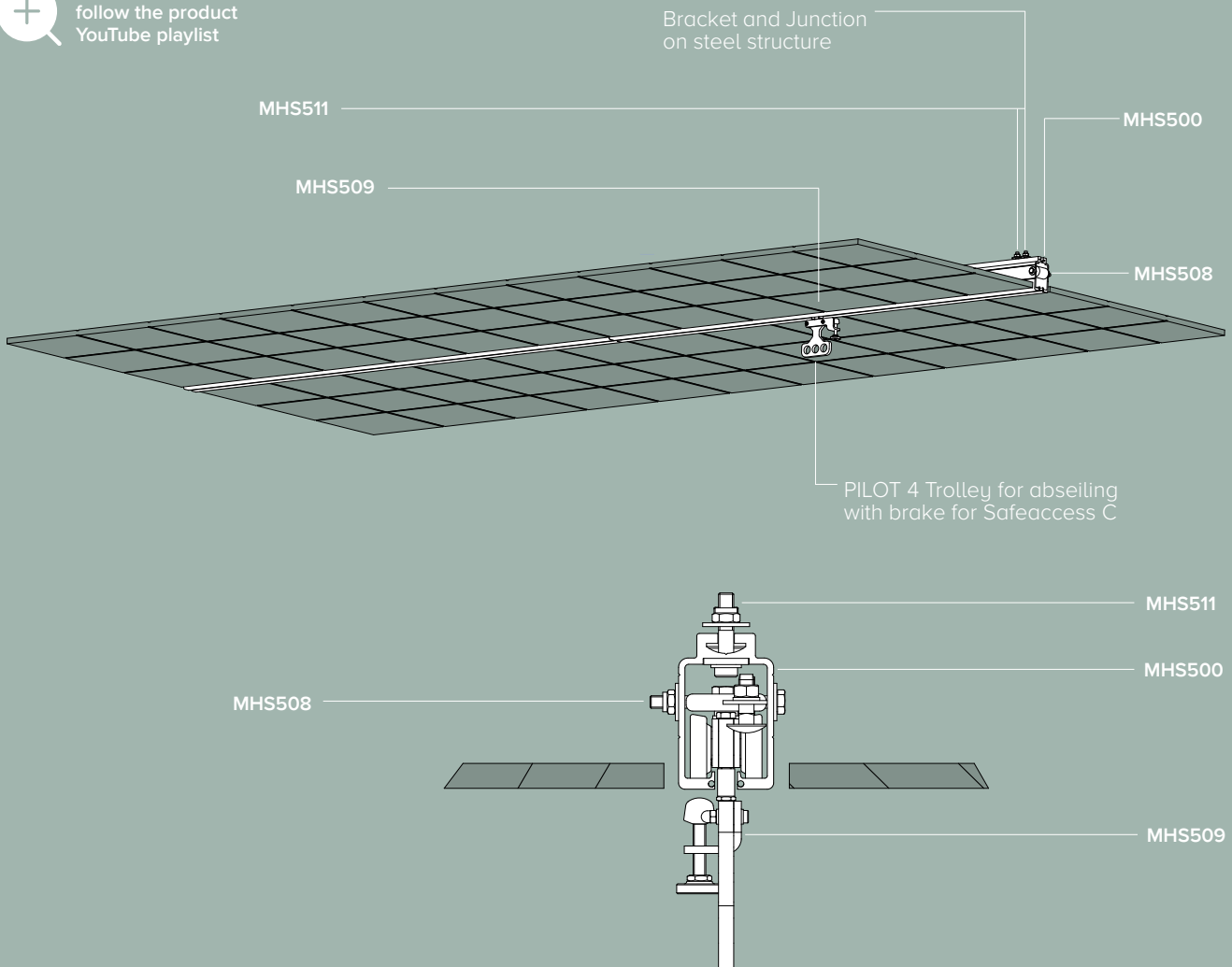
EN1808:2015



x 2  
rope access  
between supports

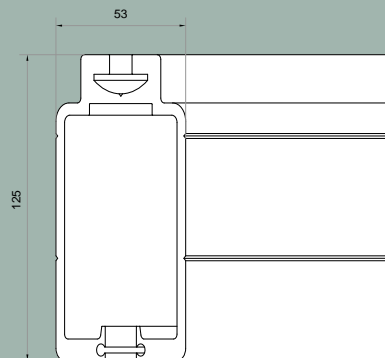


Click here to  
follow the product  
YouTube playlist

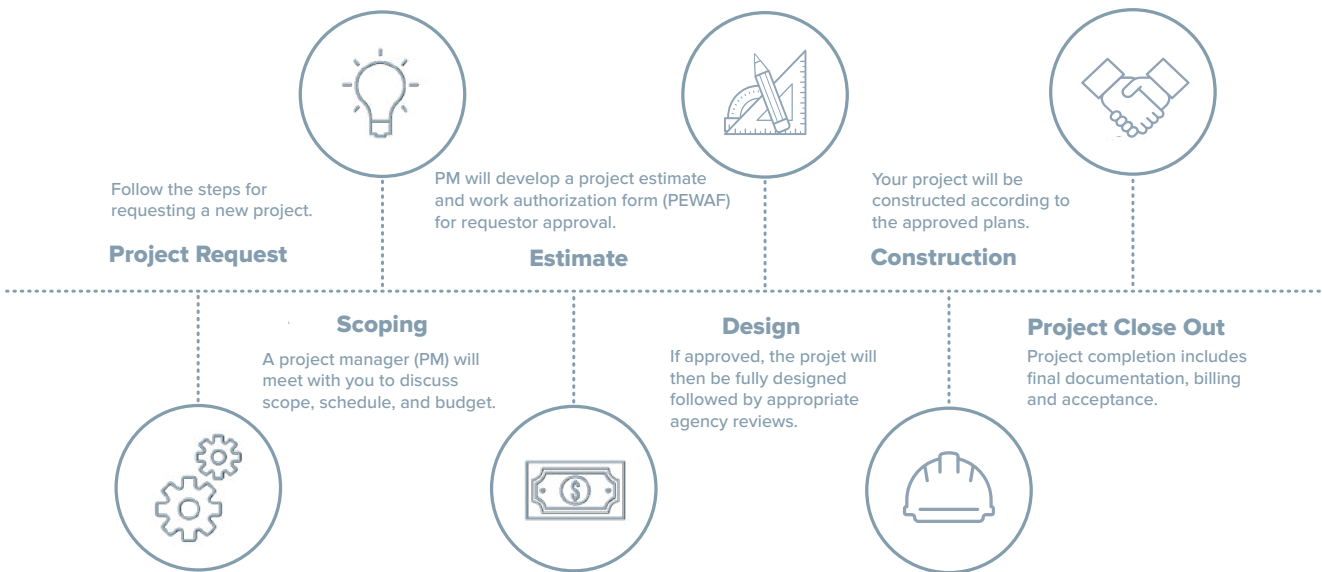


### MHS500

- SafeAccess C profile weights 5,65 kg / meter.
- Delivered in lengths of 3000 or 6000mm.
- Mill finish or anodized or powder coated any RAL colour depending of the project requirements.
- Bendeable any angle (minimum radius of 800mm).



# Engineering support



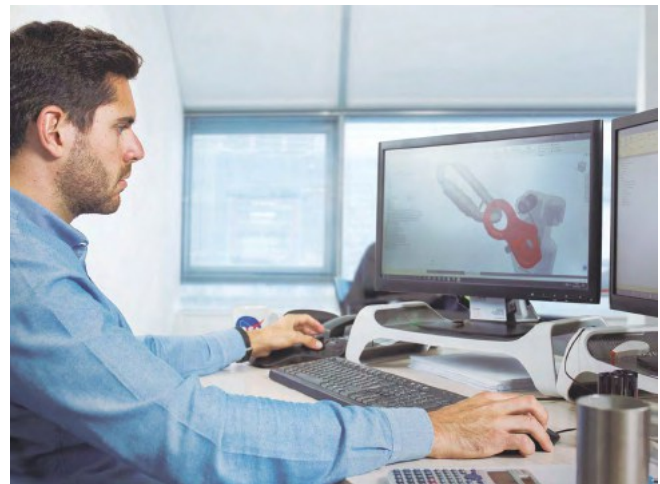
Fallprotec’s mission is to flawlessly ensure safe and secure height working conditions in every situation, from the simple anchor point to the most complex BMU. Excellence and responsibility at each level of conception are our key-drivers.

To fulfil each customer’s requirement, Fallprotec provides bespoke solutions complying with the latest standards to provide highest satisfaction from the start with a free of charge analysis of project and budget offer !

Also planning is the key. From a small installation to complex large-scale projects, Fallprotec delivers a complete height access strategy taking into account safety, ergonomics, aesthetics, speed of maintenance and cost.

The professional staff provides the best support to clients, distributors and installers on a daily basis as well as guide the final customer from the first-scratch concepts up to the final installation / commissioning. For your special requirements, we deliver special/dedicated solutions ; Fallprotec as unique as your needs.

Fallprotec has innovation in its DNA and optimally invests into product development to market a comprehensive, diverse and complete range. Continuous improvement at the heart of our development, combined with our engineering skills in 3D constantly lead to new innovations to benefit users.



Fallprotec provides a complete and automatised hand over documentation. Fallprotec is continually testing its systems with the strong intention of improving, always under the guidelines of height safety regulations.

A widespread network of distributors and certified installers is selected carefully to guarantee quality at each level and to ensure an efficient and sustainable value-chain.

Fallprotec focuses on your safety so that you can focus on your task/job.

# Fallprotec's products installations for facade maintenance

[Click here to view more case studies worldwide on our website](#)

Fallprotec's internal engineering department had offered bespoke solutions for many sites, while working with a worldwide network of specialized installers, in order to master the complete process of securing the maintenance of vertical surfaces.

The scope of offered services includes risk assessments, site surveys, engineering, installation, commissioning, inspection and maintenance.



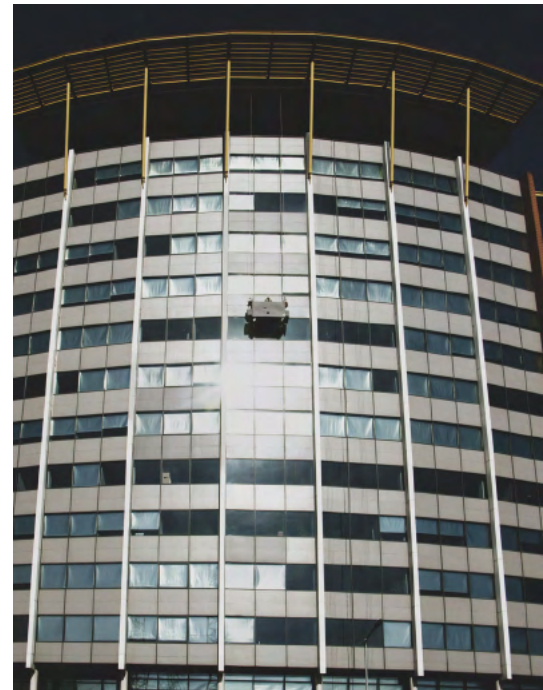
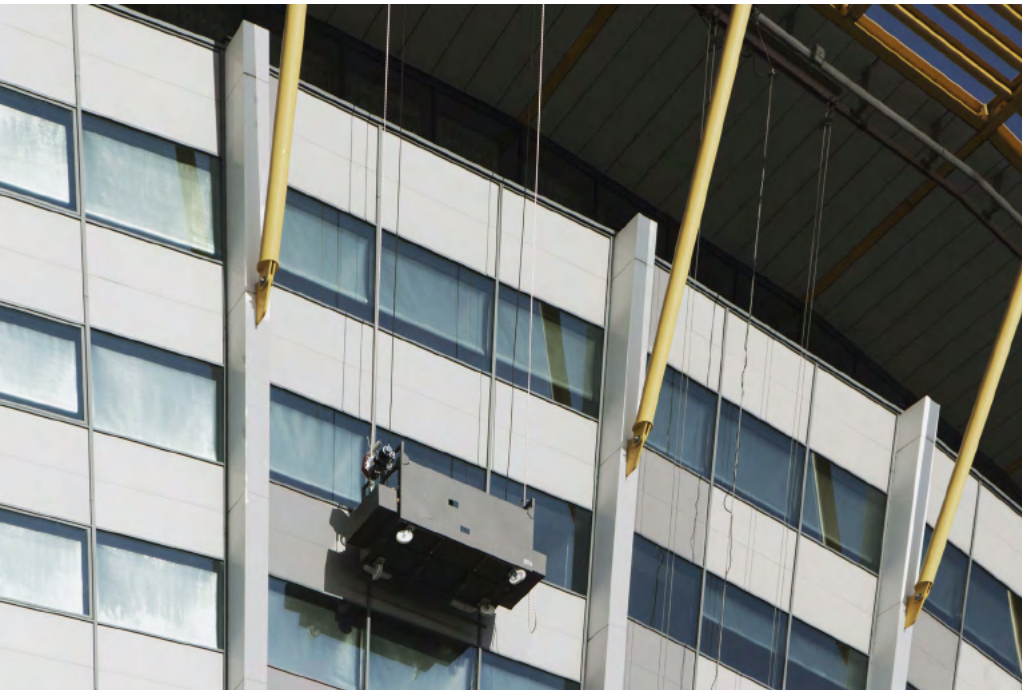


📍 Ven Amsterdam  
Amsterdam, Netherlands





📍 Facilicom  
Rotterdam, Netherlands

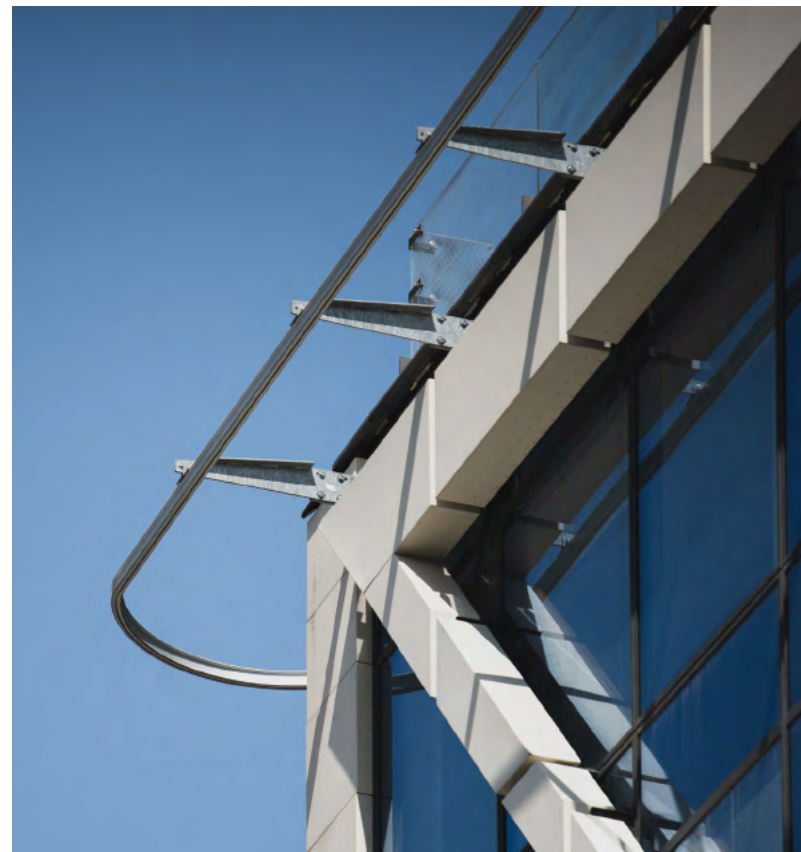


📍 Youth Hostel  
Esch-sur-Alzette, Luxembourg





📍 Nikmi  
Sofia, Bulgaria

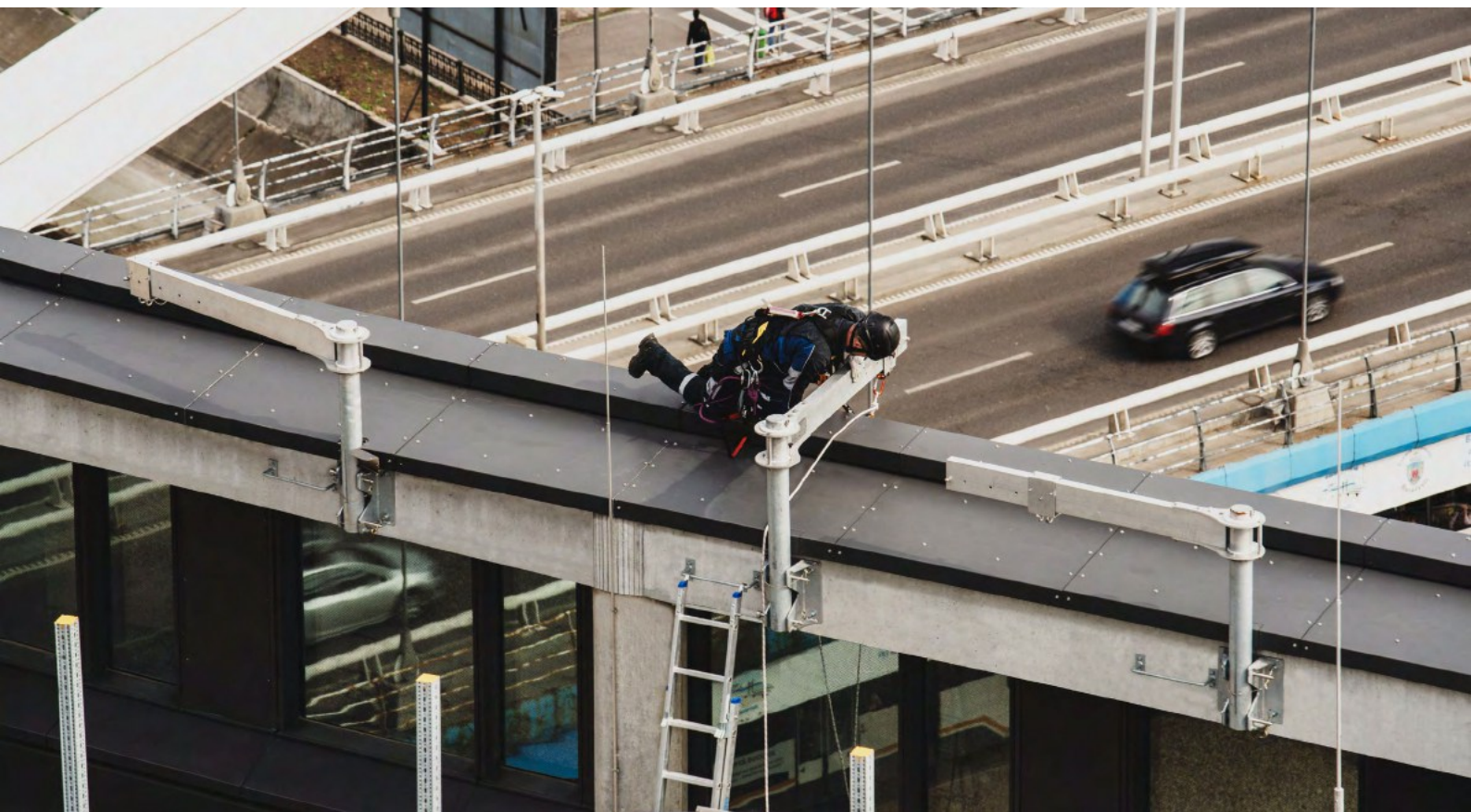




📍 Commercial mall  
Sandton, South Africa

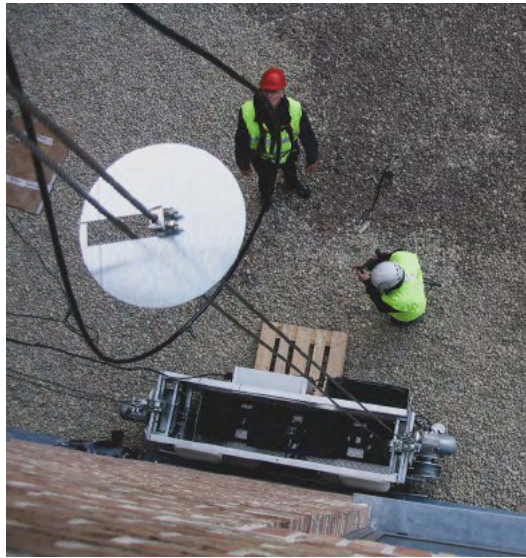


📍 Financial center  
Bucharest, Romania





📍 Polish embassy  
Brussels, Belgium



📍 KAPSARC  
Riyadh, Saudi Arabia





## FALLPROTEC SA

43-45 ZA Op Zaemer  
4959 Bascharage  
Luxembourg  
T: +352 26 55 09 30  
F: +352 26 55 09 30 55  
marketing@fallprotec.com

## FALLPROTEC SL

Eduard Calvet i Pintó 4  
Pol. Ind. Vallmorena  
08339 Vilassar de Dalt  
España  
T: +34 93 114 22 31  
info@fallprotec.es

## FALLPROTEC CHINA

Room 213, Building 6  
No. 398, Jinglian Road  
Minhang District  
Shanghai, China

T: +86 21 3126 8606  
F: +86 21 2281 0168

+352 26 55 09 30  
[www.fallprotec.com](http://www.fallprotec.com)

Follow us

fallprotec | [f](#) [@](#) [in](#) [You Tube](#)

# FALLPROTEC

Height Safety Products

