

FALLPROTEC

Height Safety Products

+352 26 55 09 30 | www.fallprotec.com

FALLPROTEC VERTICAL ACCESS SOLUTIONS





📍 Sevilla, Spain

SOLUTIONS FOR VERTICAL ACCESS

Climbing ladders is one of the riskiest tasks while working at height. Falls from ladders are 40% of the fall at heights accidents in Great Britain. They occur on construction sites, administrative buildings or industrial sites.

The Occupational Safety and Health Administration of USA (OSHA) have made vertical lifeline systems mandatory for all ladders above 6 meters (20 feet). This measure is planned to save 29 lives per year.

LINKS:
<https://www.hse.gov.uk/food/falls.htm>
<https://www.osha.gov/sites/default/files/publications/OSHA3903.pdf>

Fallprotec has solutions to secure fixed ladders or temporary ladders and has several types of vertical lifelines to adapt to the site requirements:

The Securope Quickset cable lifeline or the Securail Pro are both clamped on existing ladders. These designs are used for retrofit installations.

The MastLadder is specially designed for access on pylons and masts.

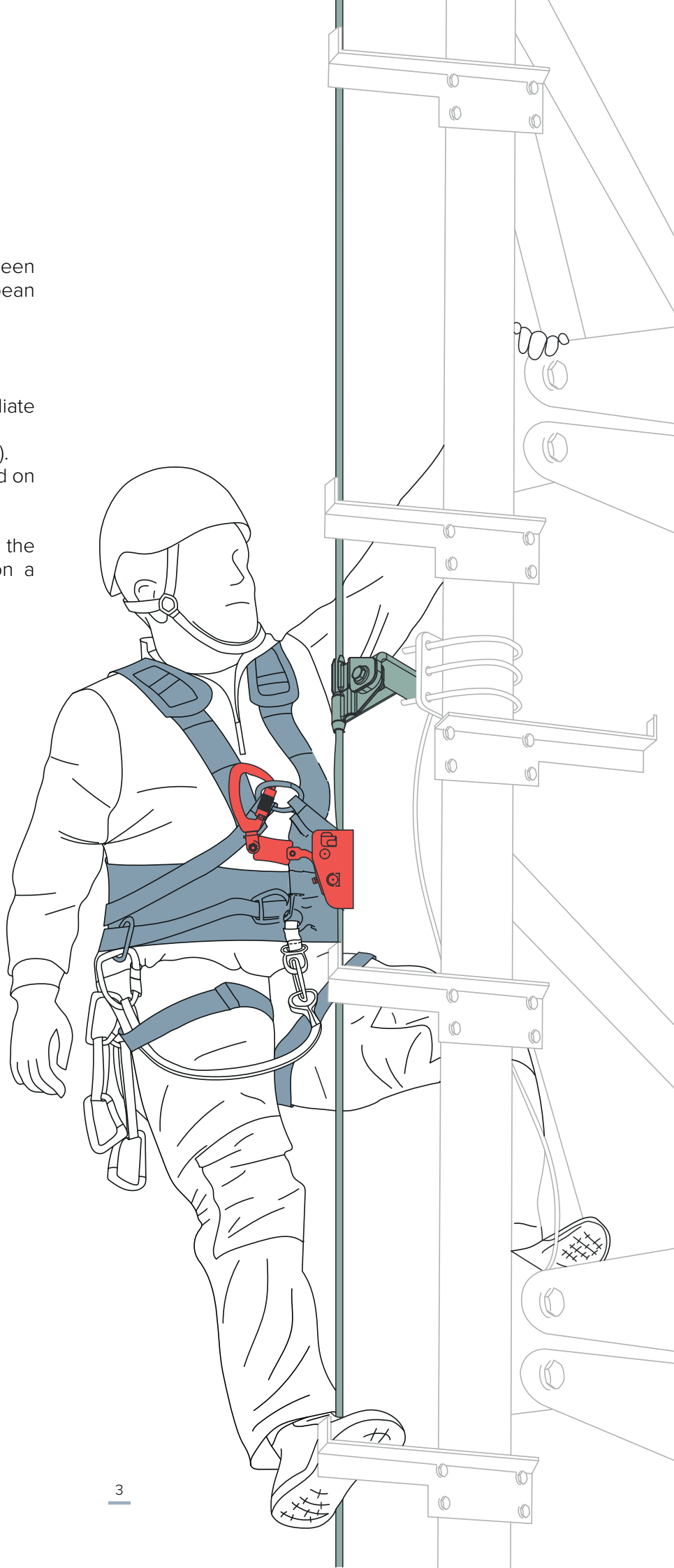
The SafeLadder Pro is a versatile ladder with integrated fall arrest rail. It is installed in confined spaces, industrial halls or architectural buildings. This solution is much safer than cage ladders.

The Fallprotec rail designs enable an easy transition between the ladder and the roof, securing hence one of the most critical moments during the access.

Securope Quickset

The Securope Quickset lifeline has been tested and certified according to European and North American standards.

- Crimping-free system.
- Openable glider.
- Overriding glider on the intermediate anchors.
- Span between anchors: 10m (32'8").
- For stainless steel cables, approved on galvanized cables.
- Cable vibration absorption system.
- Intermediate anchors clipped on the cable, can easily be retrofitted on a lifeline.



— The Fallprotec Quickset is a vertical safety line that can be installed quickly and easily. The Quickset Vertical lifeline is the ideal companion for works on pylons, windmills, and any vertical structure.

Fallprotec provides a vertical cable lifeline Securope. It can be retrofitted on an existing ladder or structure. Installed without crimping, it comes with an opening glider that allows the user to keep safely connected while being capable to connect to the lifeline at whichever time he wishes. The glider blocks automatically in case of a fall.

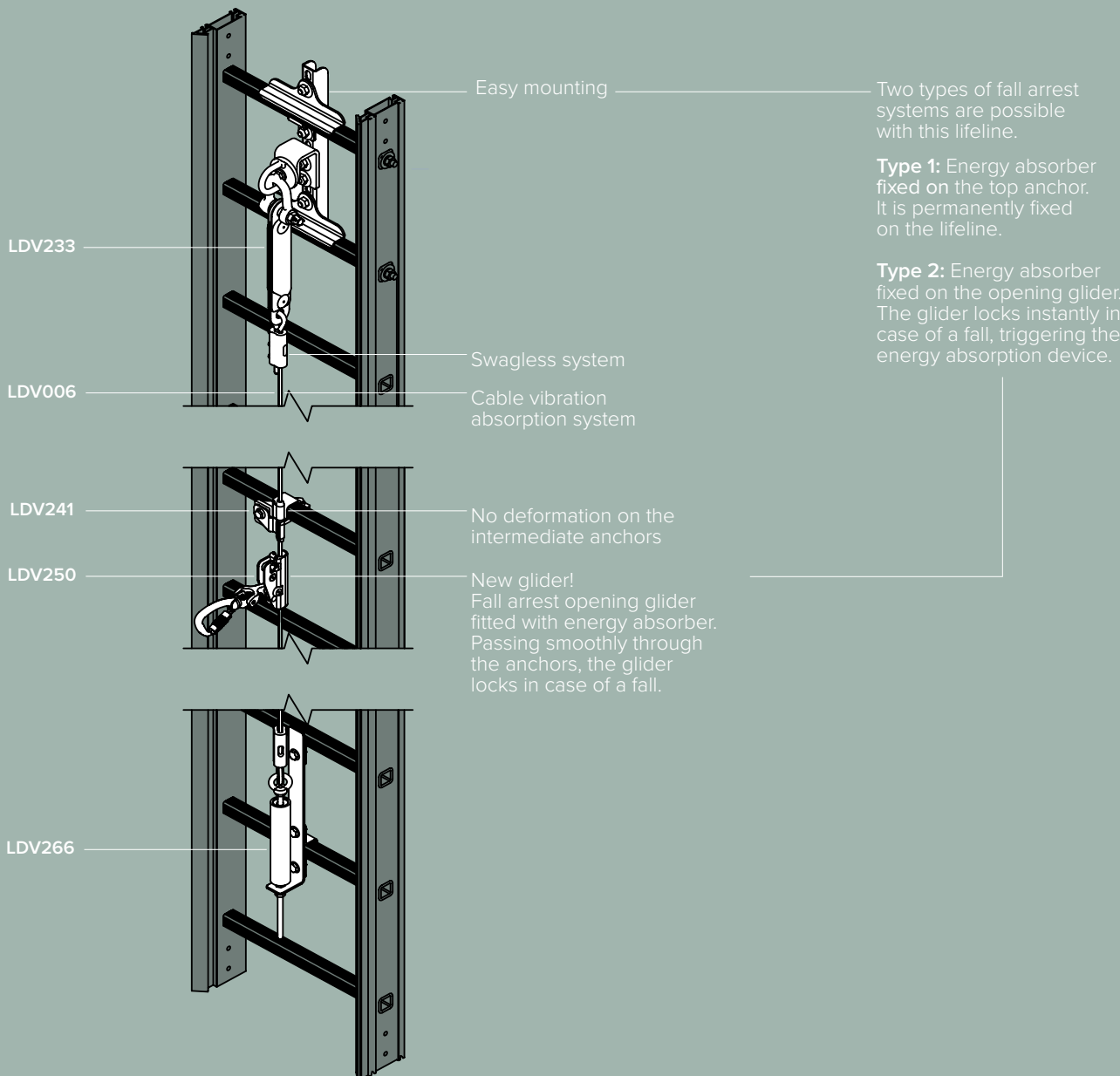
EN353-1:2018



x 4
(with absorber
on the glider)



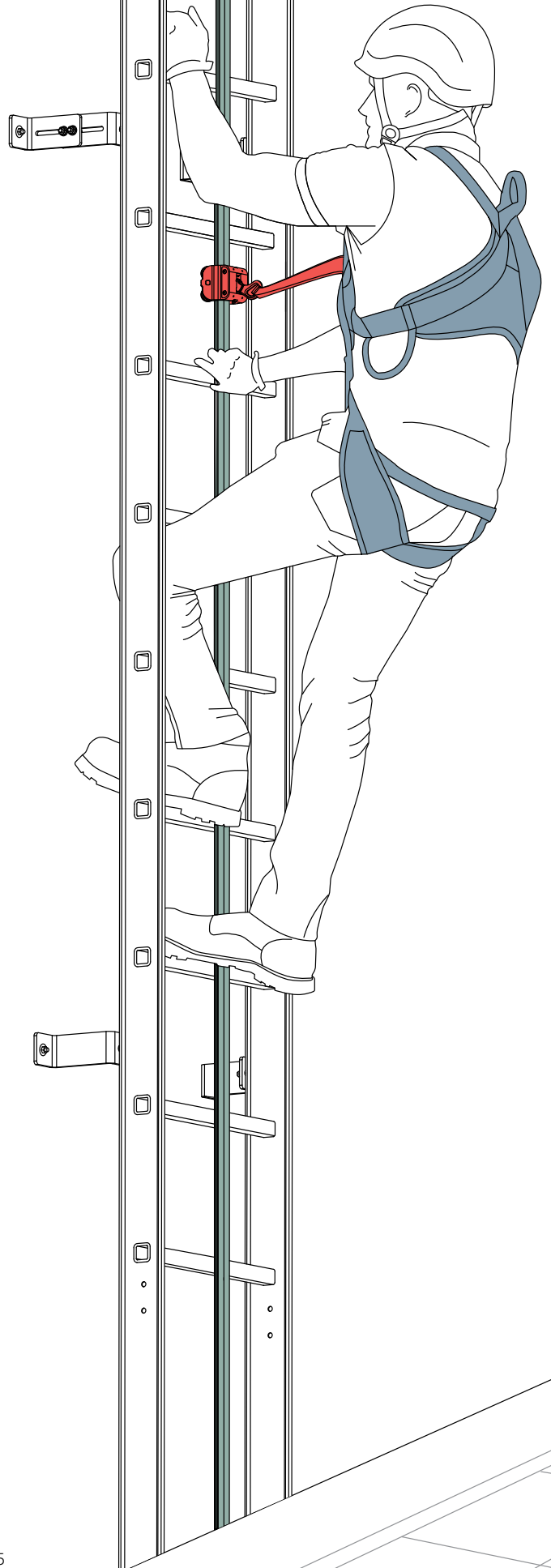
Click here to
follow the product
YouTube playlist



The SecuRail Pro Vertical

The SecuRail Pro Vertical has been tested and certified according to European and North American standards.

- Easy use and ergonomic
- Light aluminium rail
- Fixed on ladder
- Trolley moves easily on the rail
- Freehand system & undeformable
- Easy to retrofit on existing ladders
- Compatible with safe roof access extensions
- Possibilities for bespoke solutions with Fallprotec's engineering department
- Trolley equipped with energy absorber to reduce the force to 6KN on the body



— Aluminium fall arrest rail clamped on existing ladder.

The SecuRail Pro Vertical is a rigid lifeline to secure access on any structure. When clamped on an existing ladder it secures the end user much better than the regular safety hoops.

The advantage of the rail system is that the fall is stopped instantly without any permanent deformation of the rail.

All the forces are applied in the area of the fall.

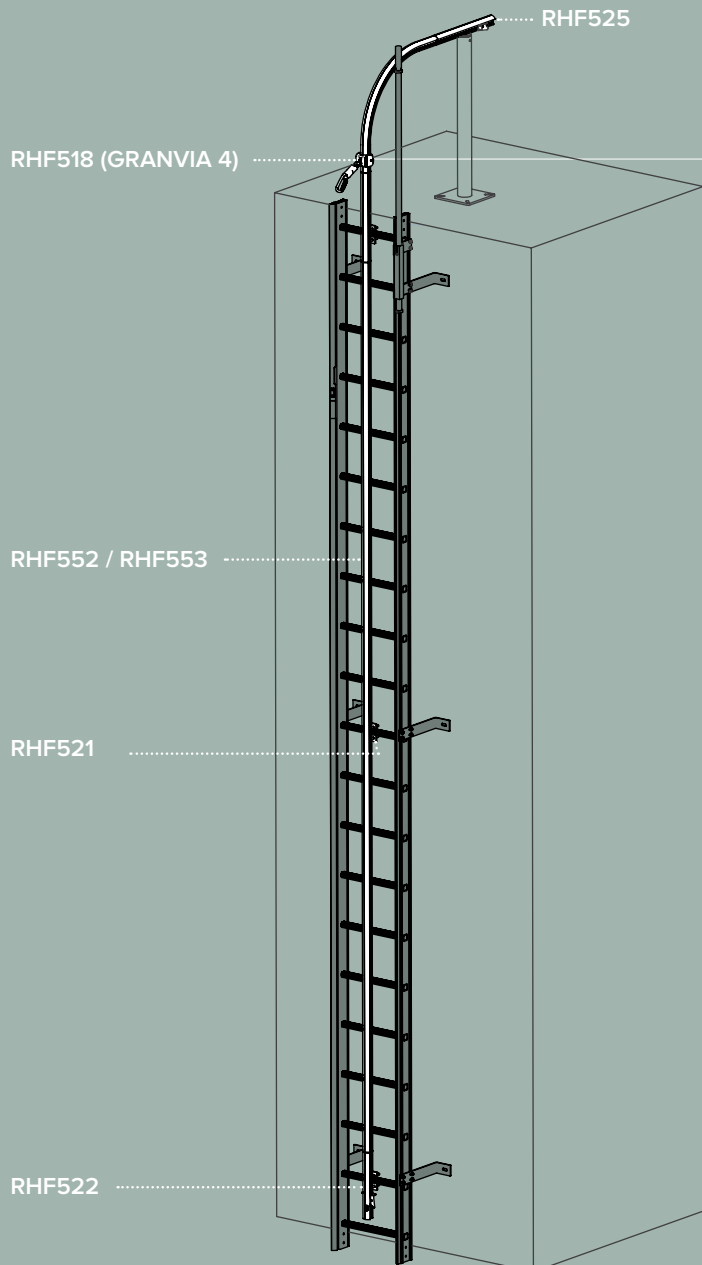
EN353-1:2018



Aluminium
6060T6



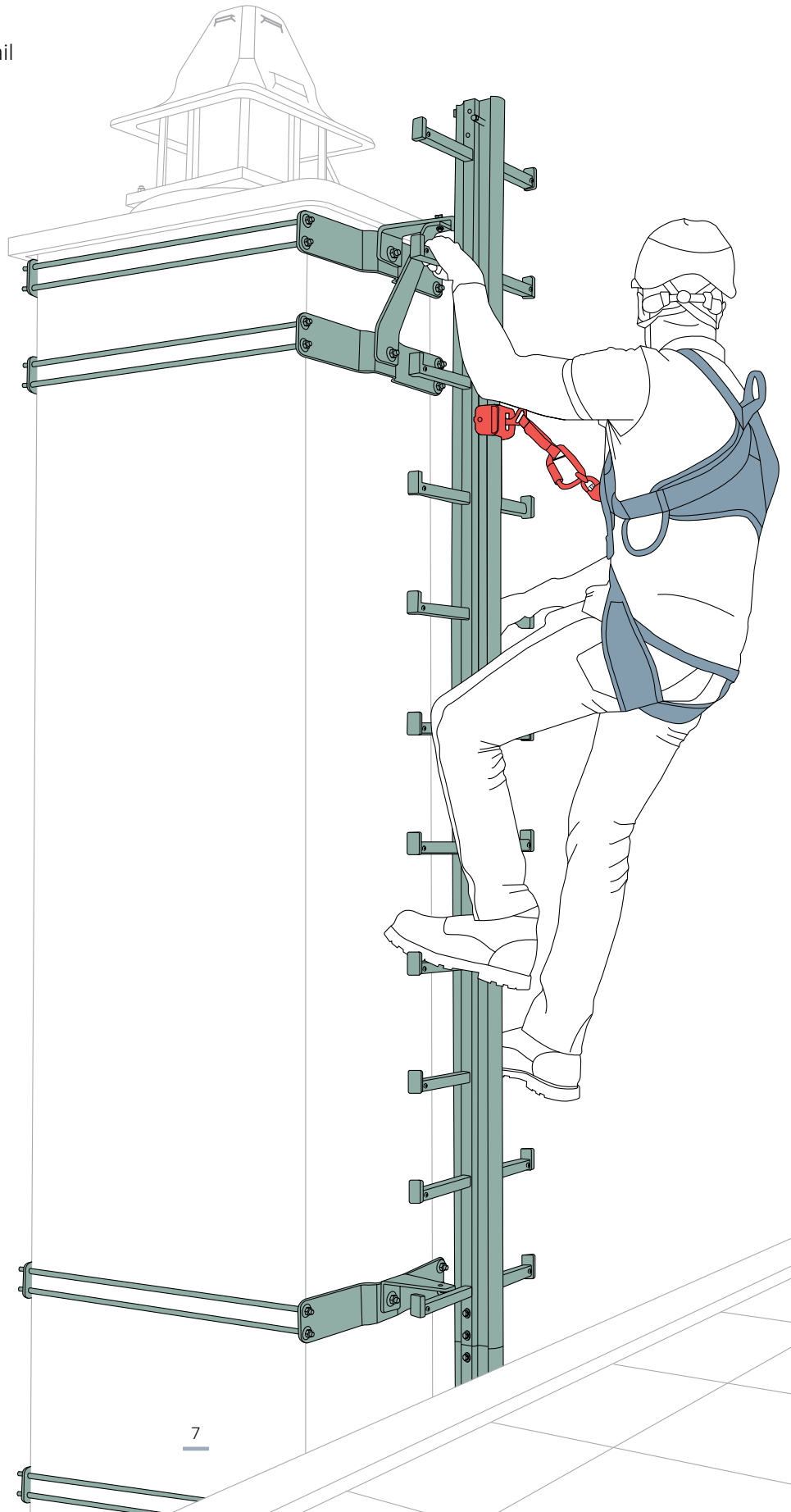
Click here to follow the product YouTube playlist



The GRANVIA4 trolley equipped with an energy absorber follows the user's movements smoothly and blocks automatically in case of a fall

MastLadder

- Easy use
- Trolley equipped with energy absorber to reduce the force to 6KN on the body
- Trolley moves easily on the rail
- Possibilities for bespoke solutions with Fallprotec's engineering department
- Spacing between brackets up to 3000mm
- Low weight: 4,5kg/m



—
Aluminium fall arrest rail with integrated rungs. High strength profile for fixation on metallic structures or in confined spaces.

The MastLadder consists in a Securail Pro with aluminium rungs fitted into the profile. The ladder is delivered in length 2,8m.

It is installed on every type of building for height access and is fixed to the structure thanks to M10 bolts. This type of ladder is particularly well suited for applications where discreet solutions are required, access on antennas, pylones or wind towers.

EN353-1:2018



x 1



Aluminium
6060T6



Click here to
follow the product
YouTube playlist

RHF715

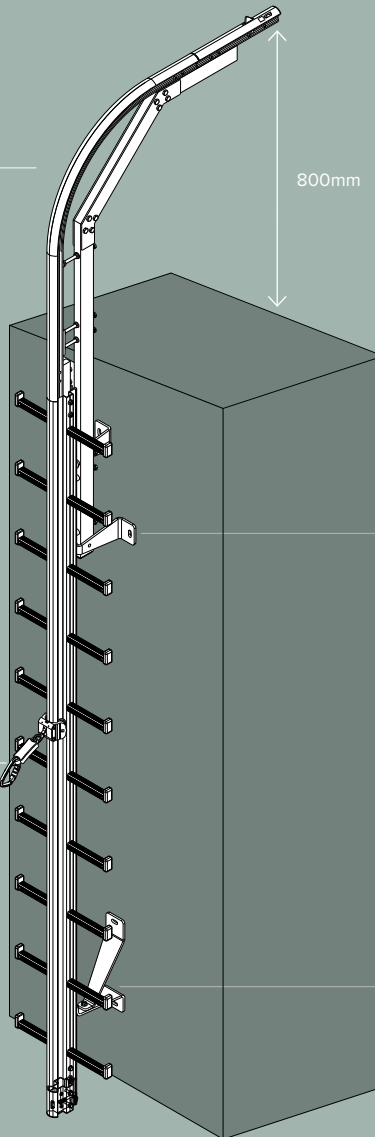
800mm

RHF712

RHF518

The GRANVIA4 trolley equipped with an energy absorber follows the user's movements smoothly and blocks automatically in case of a fall

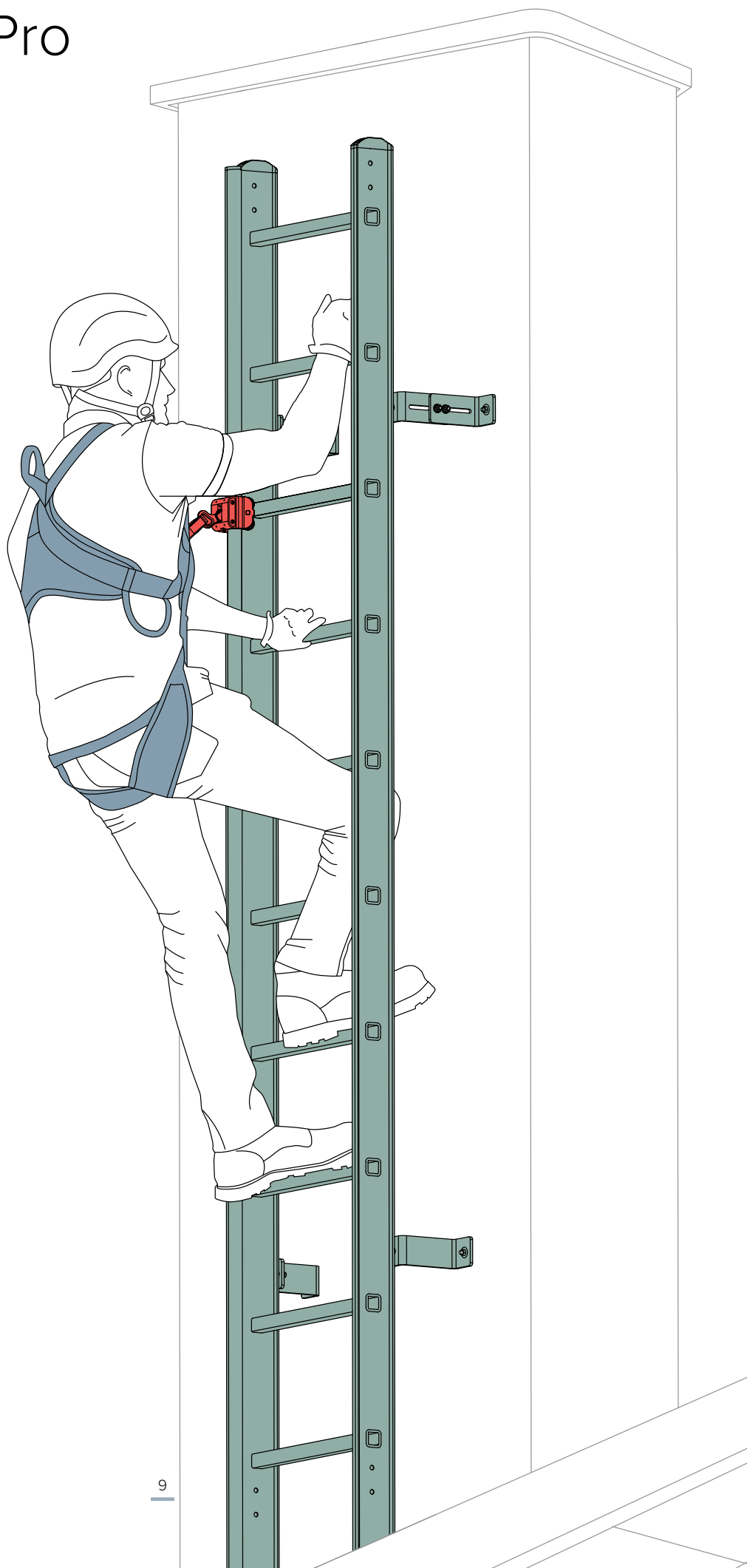
RHF710



SafeLadder Pro

The SafeLadder Pro has an integrated fall arrest rail in the ladder upright, matching the Securail Pro design. It is a more secure and elegant alternative to traditional cage ladders. The SafeLadder Pro exists in several variants to adapt the structure and context of usage.

- Intuitive use
- Integrated fall arrest rail
- Rigid and stable ladder
- Standard brackets in various lengths
- Discreet



Outer and inner facade maintenance requires reliable solutions with limited obstruction of the ground.

SafeLadder Pro

The SafeLadder is a ladder including an integrated fall arrest rail in its upright. Easy to install, it can be adapted to various configurations, confined spaces, distance from the host structure, etc.

EN353-1:2018



x 1



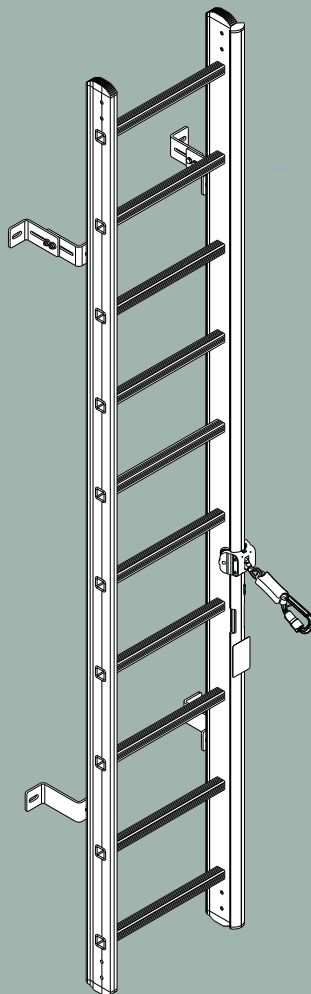
Aluminium
6060T6



Click here to
follow the product
YouTube playlist

SAL210 | 213

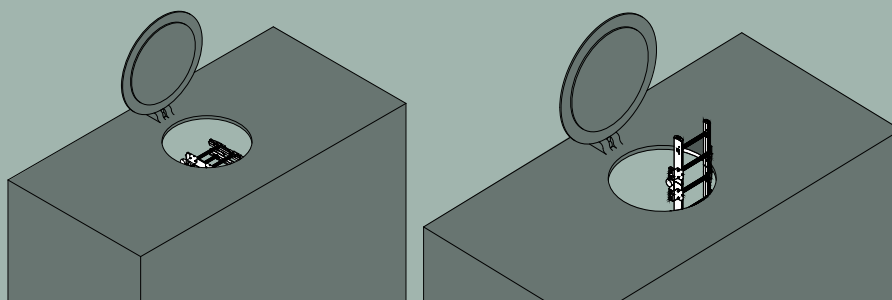
The SafeLadder Pro offers a wide range of fixation options for every type of host structure.



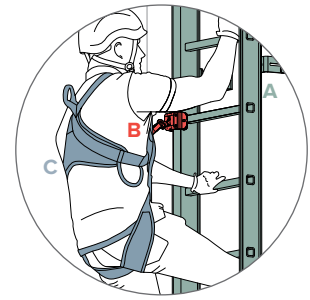
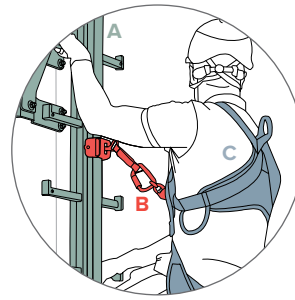
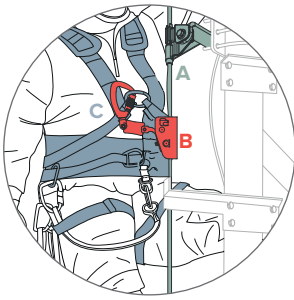
RHF518

The GRANVIA4 trolley equipped with an energy absorber follows the user's movements smoothly and blocks automatically in case of a fall

Configuration for entrance into a well



Fall protection & access equipment



A

Anchorage

Structure capable of supporting 6kN per user attached as part of a complete personal fall arrest system.

Fallprotec lifeline systems:

- 1) SecuRope Quickset Cable Lifeline
- 2) The SecuRail Pro Vertical
- 3) Mastladder
- 4) SafeLadder Pro

All systems are suitable for intensive use in complex environments. Its components are reliable and durable.

Fixing brackets:

Fallprotec has a wide range of bracket to fix on existing ladder or on the building.

B

Connecting Devices

PPE Equipment with energy-absorbing element to reduce the energy transmitted to the user's body in the event of a fall. Products such as shock absorbing lanyards or self-retracting lifelines connect a worker's harness to the anchorage.

Fallprotec PPE:

— Glider fitted with energy absorber for Quickset lifeline

LDV255



EN353-1



x 1



KG 1,00



x 1
20mm opening
Aluminium

— Trolley fitted with energy absorber

RHF518



EN353-1



x 1



KG 0,79



x 1
20mm opening
Aluminium

C

Body Support

A safety harness is a personal protective equipment (PPE) that is designed to catch a person in the event of a fall while working at height. Our full body harness distributes fall arrest forces across the shoulders, thighs and pelvis.

Fallprotec PPE:

— Harness Prolight



EN361:2012



x 1



KG 0,930

Resistant, lightweight fabric. Comfortable for the user.

Fallprotec's products vertical installations

[Click here to view more
case studies worldwide
on our website](#)

Fallprotec's internal engineering department had offered bespoke solutions for many sites, while working with a worldwide network of specialized installers, in order to master the complete process of securing plants against the risk of fall.

The scope of offered services includes risk assessments, site surveys, engineering, installation, commissioning, inspection and maintenance.



CHOOSING FALLPROTEC MEANS

- One reference for global assistance
- Certified by notifying bodies as per latest European standard
- Quality control: ISO9001:2015.
E.C. Quality of Production « Article 11D »
- Product liability insurance
- Warranty
- One-Stop-Shop



📍 Office building
Paris, France



📍 Residential building
Barcelona, Spain



📍 Meteorological tower
Akureyri, Iceland



📍 Excavation unit
Paris, France



📍 Industrial Site
Hungary



📍 Telecommunication mast
Bascharage, Luxembourg



FALLPROTEC SA

ZARO 2-4 Rue Gustave Loosé,
8346 Grass
Luxembourg
T: +352 26 55 09 30
F: +352 26 55 09 3055
marketing@fallprotec.com

FALLPROTEC SL

Eduard Calvet i Pintó 4
Pol. Ind. Vallmorena
08339 Vilassar de Dalt
España
T: +34 93 114 22 31
info@fallprotec.es

+352 26 55 09 30
www.fallprotec.com

Follow us

fallprotec |    


FALLPROTEC


Height Safety Products

