

FALLPROTEC

Height Safety Products

+352 26 55 09 30 | www.fallprotec.com

FALLPROTEC SECUROPE CABLE LIFELINE SYSTEM ON POST





SECUROPE CABLE LIFELINE FOR FALL ARREST, FALL RESTRAINT ON RIGID STRUCTURE

EN795:2012 & TS16415:2013
ASSP/ASSE Z359.6
OSHA 1910 / OSHA1926
CSA Z259.16



For rigid structures such as concrete or steel beams, the undeformable Fallprotec post combined with the Securope EVO fall arrest system is a safe choice.

The user has a wide freedom of movement and can safely reach any point of the structure while staying connected when moving along the lifeline and passing the intermediate anchors.

Falls from height account for 35% of fatal injuries at work in the United Kingdom in 2021.*

Fallprotec defines rigid structure as: structural concrete or a structural steel beam. Flat or sloped roofs require fall arrest lifelines, if they are not equipped with a 1100mm high parapet or guardrails.

Roofs require maintenance for the solar panels, ventilation systems and other equipment, the workers must access the roof safely.

The Securope EVO lifeline, combined with the proper PPE equipment, enables the worker to reach safely any point of the roof.

Links:

<https://www.hse.gov.uk/statistics/fatals.htm>*

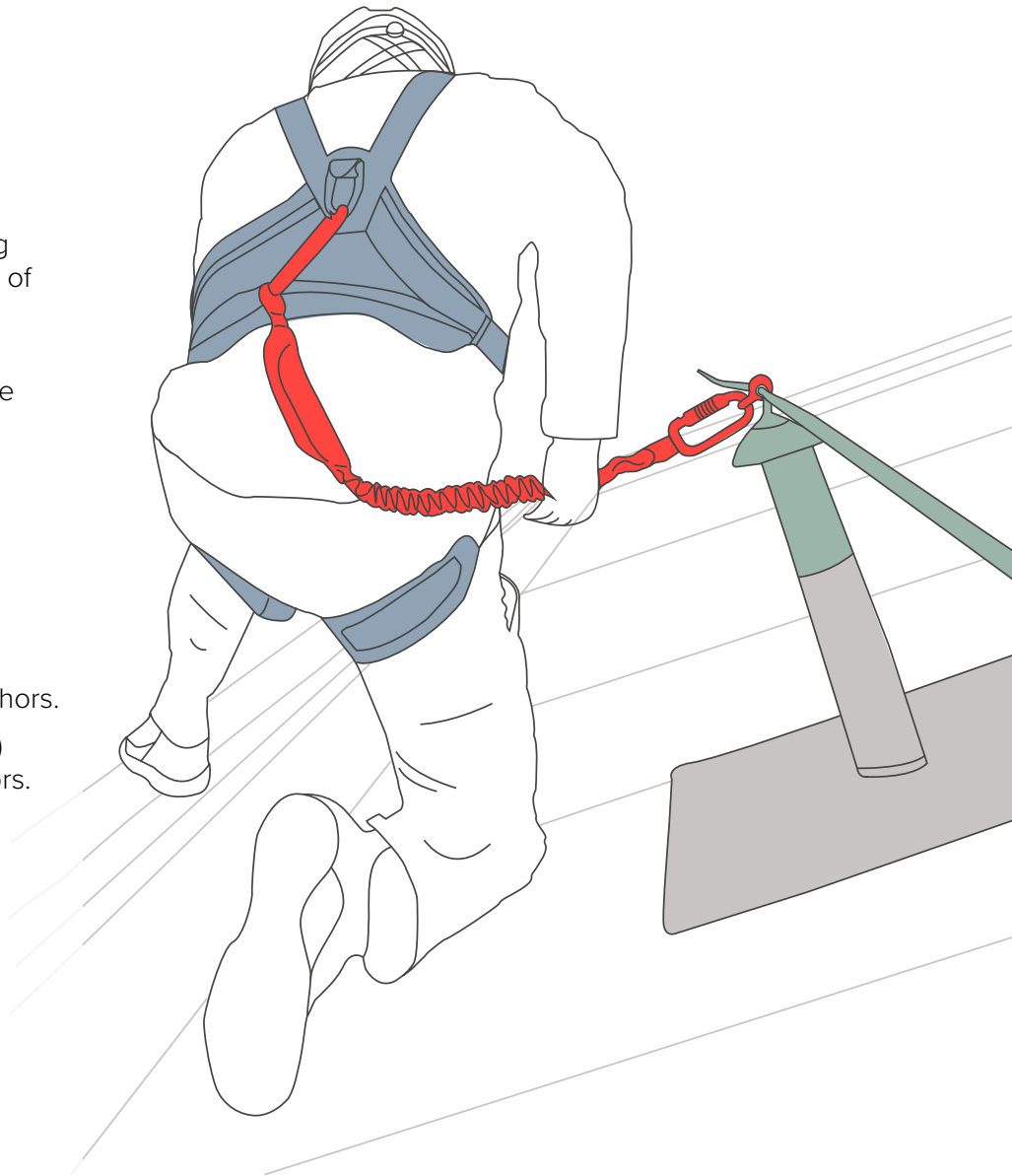
E.U. statistics: <https://bit.ly/3GwbVhs>

USA Statistics: <https://bit.ly/3siZPmM>

A cable system fixed on rigid posts

The Securope cable lifeline system on post has been tested and certified according to European standards.

- Up to 2 users.
- Undeformable posts.
- Freehand system.
- Galvanized steel 500mm (19.6") or 750mm high (29.5").
- Supplied with standard roofing systems ensuring the integrity of the waterproofing membrane
- Stainless steel on demand and possibility of custom-made solutions with the Fallprotec's engineering department.
- Upon request, options for bespoke fixations.
- Compatible with Securope EVO, Securope 2012, Securail and Securail Pro.
- Surpassable intermediate anchors.
- A distance of 12 meters (39,4") maximum between two anchors.



Applications:



Housing



Industry



Vertical structures



Fall arrest



Fall restraint



Rope Access

SecuRope EVO fall arrest system on posts

The Securope EVO lifeline on post enables the end user to stay continuously connected while moving along the lifeline and passing the intermediate anchors, having an excellent freedom of movement and reaching safely any point of the structure. The Securope lifeline on rigid posts can be fixed on concrete structures or structural beams. Thanks to its robust design, the system is undeformable in case of a fall.

EN795:2012 & TS16415:2013

ASSP/ASSE Z359.6

OSHA 1910 / OSHA1926

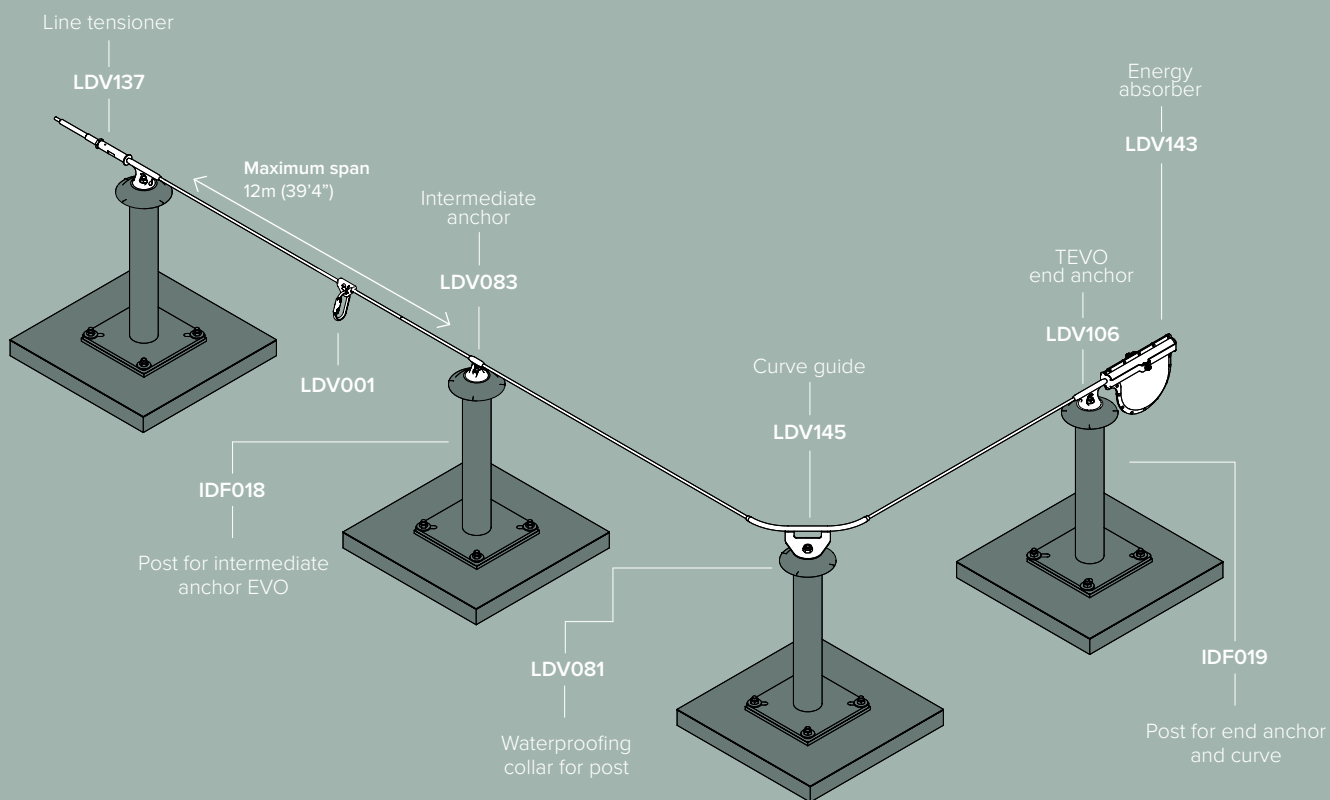
CSA Z259.16



x 2



Click here to follow the product YouTube playlist



Components that differentiate SecuRope LifeLine on Post

EVO Intermediate anchor

The EVO intermediate anchor is a surpassable anchor for rigid structures.

LDV083



TEVO End anchor

The TEVO end anchor is installed at each extremity of the lifeline and is designed to withstand high loadings.

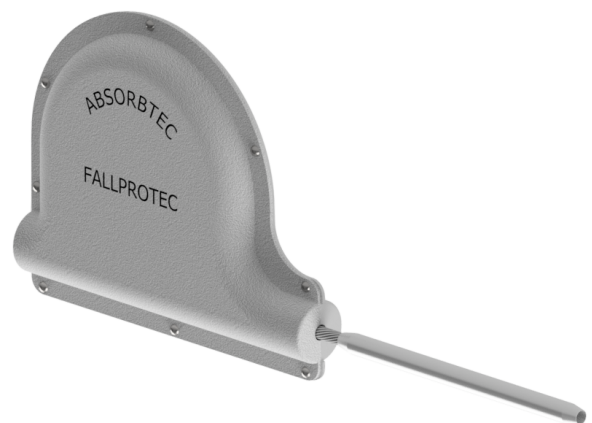
LDV106



Energy Absorber

Energy absorber that reduce the load transmitted at the extremities.

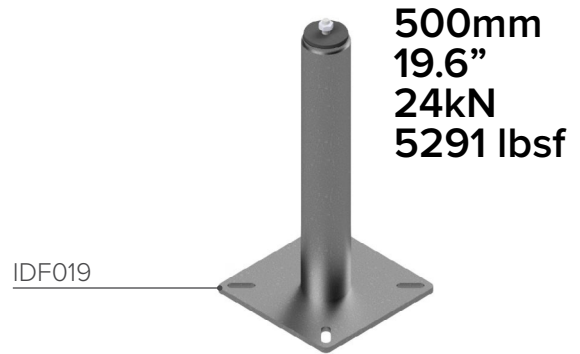
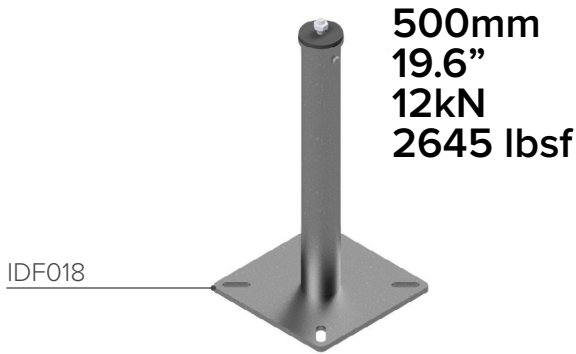
LDV143



Fixing Assembly

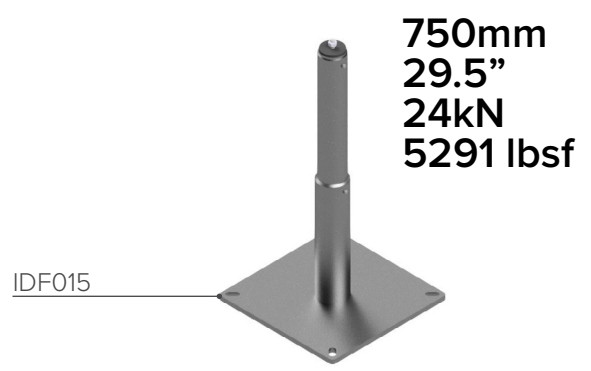
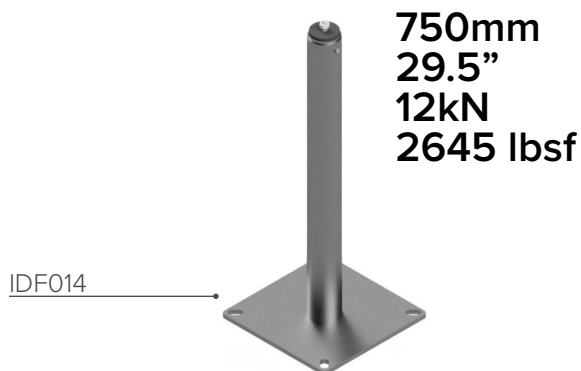
500mm high rigid posts

- Rigid post made of galvanized steel. Fixed on a structural element with up to 350mm (13,78") of insulation.



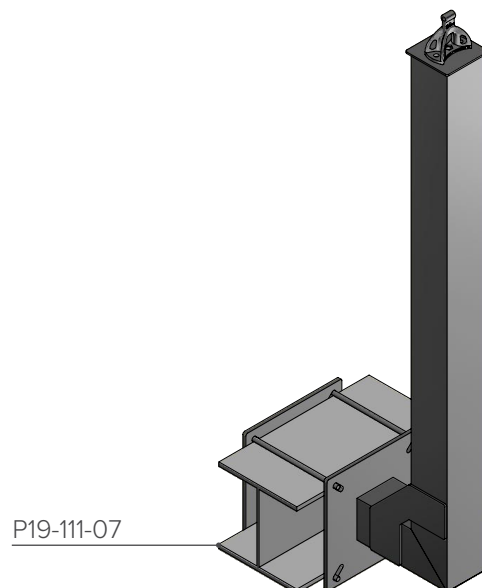
750mm high rigid posts

- Rigid post made of galvanized steel. Fixed on a structural element with up to 600mm (23,62") of insulation.



Customized Posts

Fallprotec engineering department can design and manufacture a great variety of custom posts.



Accessories & Fixing

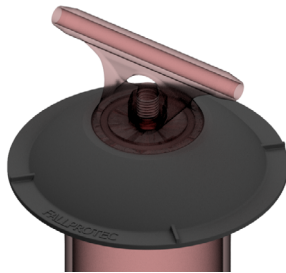
Waterproofing

Two methods exist to make the rigid post watertight.

■ Collar | LDV081

The waterproofing collar LDV081 is placed on the post. It deflects the rain and protects the roofing membrane of UV. The roofer must glue the roofing membrane at least 150mm on the steel post.

LDV081



■ Felt roof seal

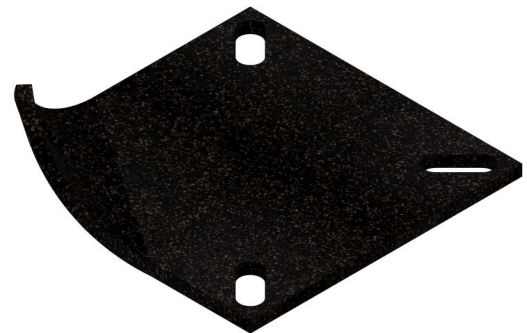
To facilitate the waterproofing, Fallprotec offers also felt roof seals which enable the roofer to glue the membrane on a flat surface.

LDV081



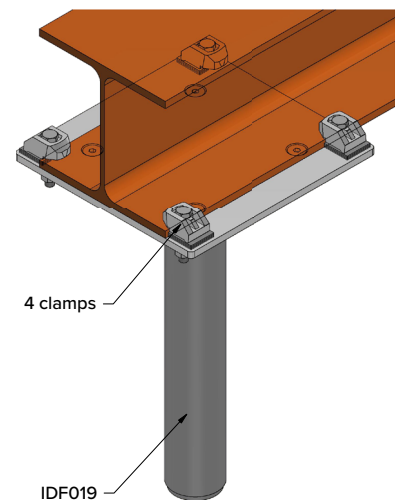
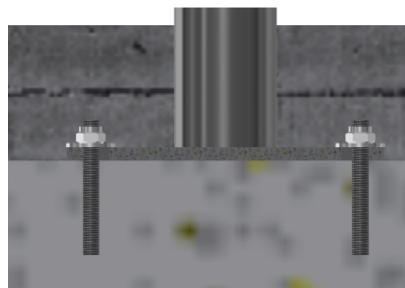
Thermal insulation

To reduce the thermal bridges, the Fallprotec rigid posts are placed on thermal roofmates. This composite material insulate the steel base from the concrete roof and reduces the temperature transfer. Thermal conductivity coefficient of **0,16 W/mK** measured at **25°C**.

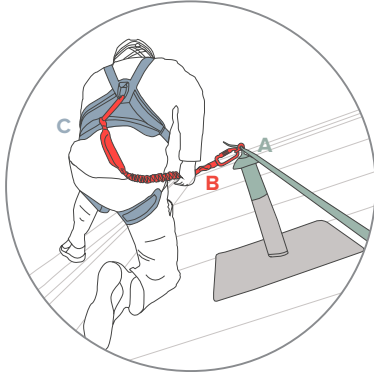


Fixing

The certified installer selects the fixings in accordance with the Fallprotec installer manual. When fixed on concrete, Fallprotec allows: mechanical and resin based fixing. When fixed on steel structure Fallprotec allows: bolting, clamping and counter-plates.



Mounting equipment



A

Anchorage

Structure capable of supporting a fall arrest situation.

Fallprotec lifeline systems:

The SecuRope Lifeline is suitable for intensive use in complex environments. All components are in stainless steel for greater durability.

Fixing brackets:

Fallprotec has designed an entire range of fixing assemblies suitable for host structure types. The internal engineering department of Fallprotec also offers bespoke fixation assemblies on demand.

B

Connecting Devices

PPE Equipment connecting the operator to the system, restraining them in case of a fall.

The PPE are designed to limit the energy transmitted to the user to a maximum of 6KN.

Fallprotec PPE:

Self retractable lanyard

IHWS



| | | |
|---|--|--|
|  x 1 |  3,70 |  8,15 |
|---|--|--|

With aluminium casing and galva steel rope.


Single lanyard 2 m

HAR010



EN354/355/362

| | | | |
|---|--|---|---|
|  x 1 |  0,50 |  1,1 |  2m 78,7" |
|---|--|---|---|

 x 2
20mm opening Zinc plated steel

With energy absorber and 2 twist lock carabiners opening 20mm

C

Body Support

A safety harness is a personal protective equipment (PPE) that is designed to catch a person in the event of a fall. Our Prolight harness diffuses fall arrest energy across the shoulders, thighs and pelvis.

Fallprotec PPE:

Harness Prolight

HAR001 / 002 / 003



EN361:2012

| | | |
|---|--|--|
|  x 1 |  0,93 |  2,05 |
|---|--|--|

Resistant, lightweight fabric. Comfortable for the user.

Ergonomic helmet for works at height

HAR087

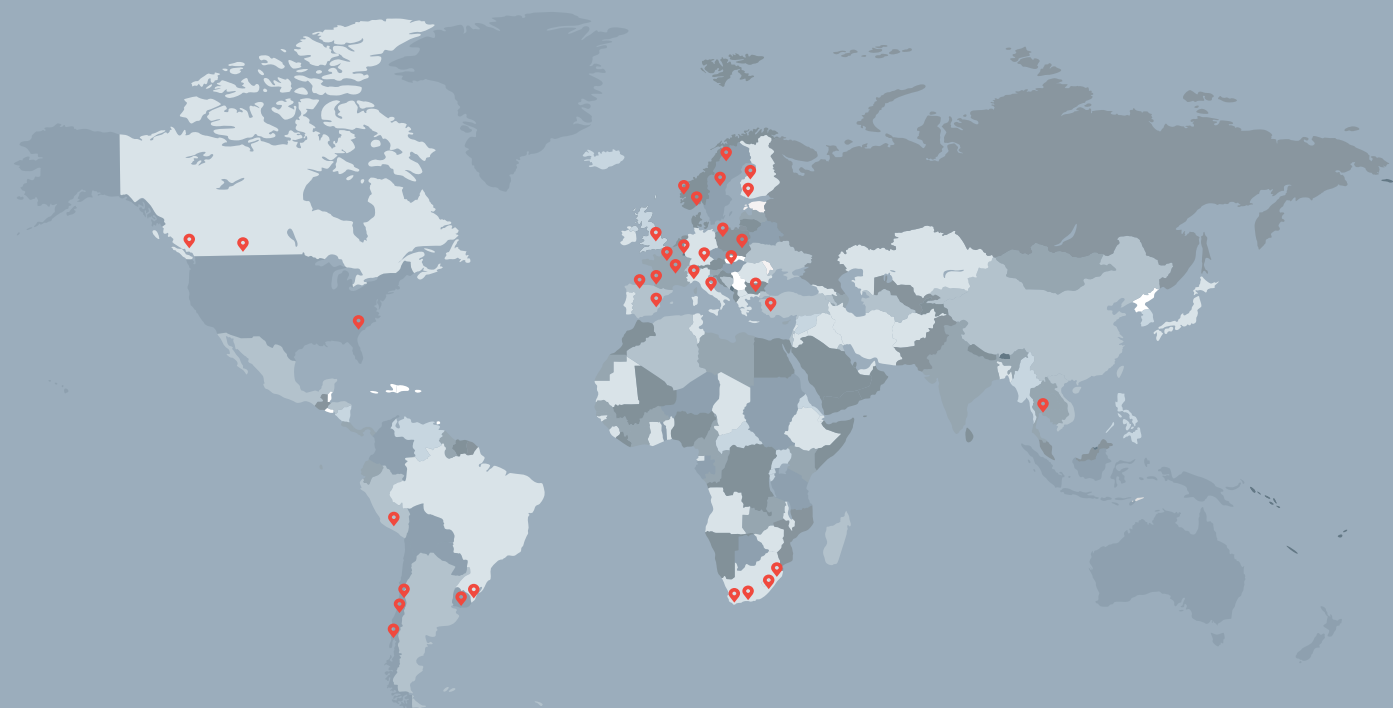


EN12492

| |
|---|
|  x 1 |
|---|

Fallprotec's SecuRope on post worldwide

Click here to view more
case studies worldwide
on our website

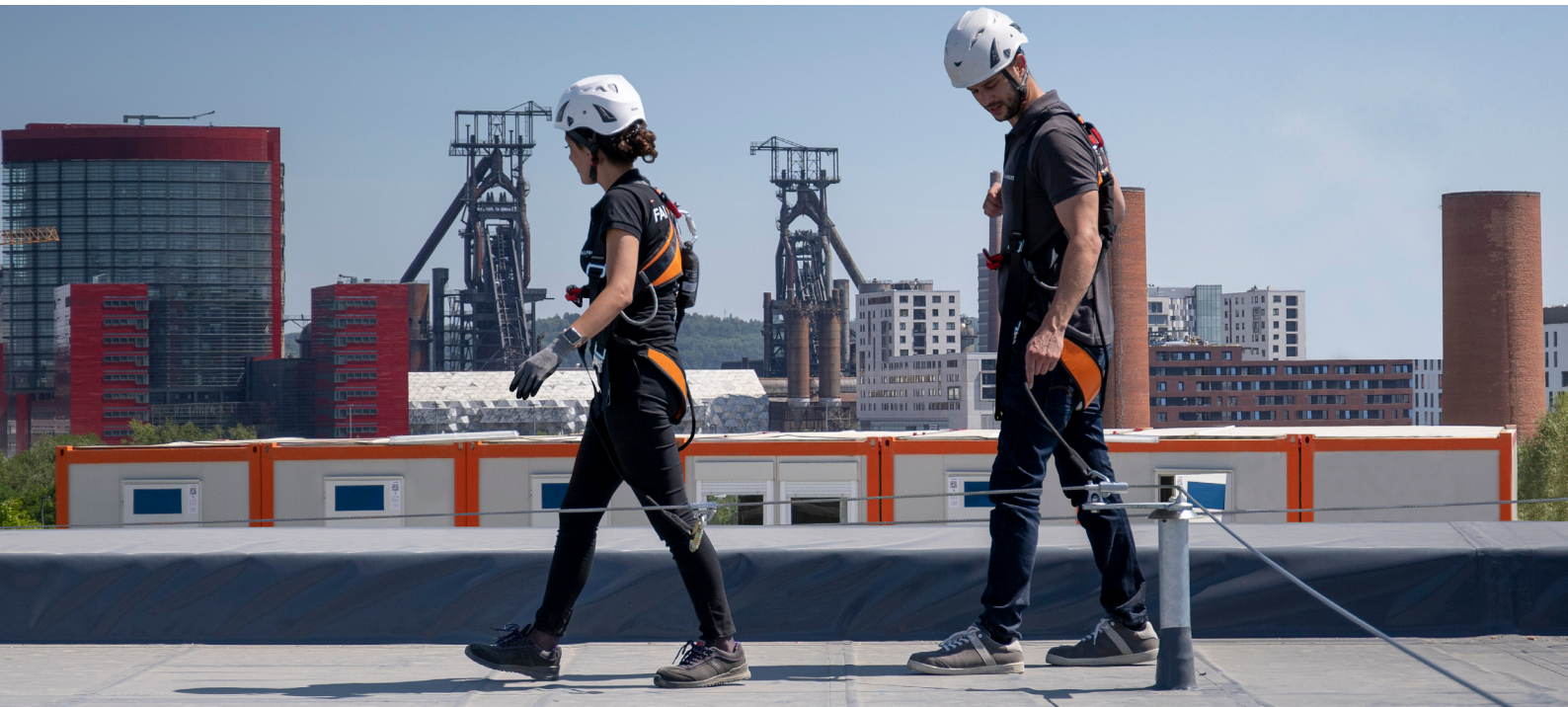


CHOOSING FALLPROTEC MEANS

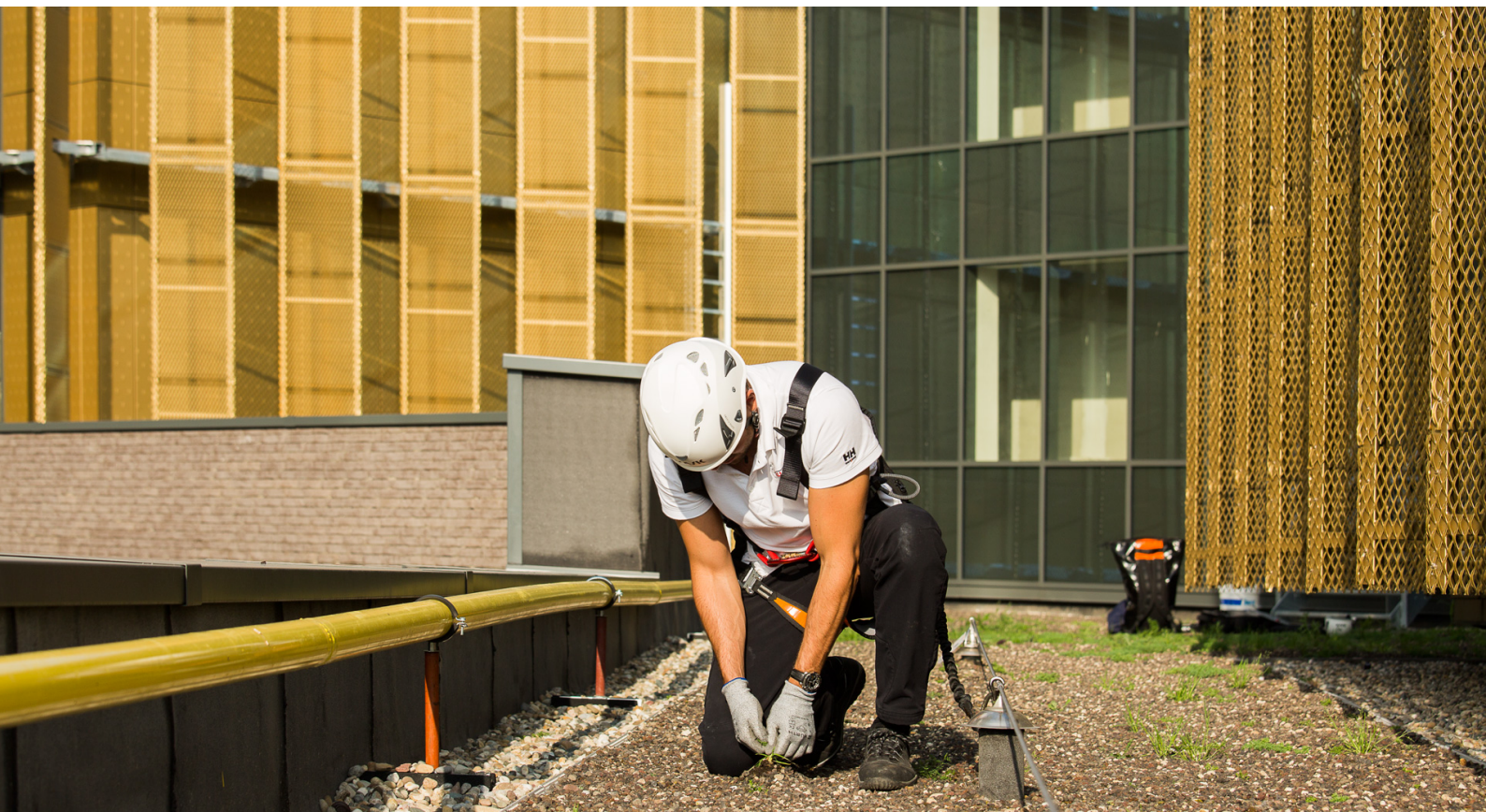
- One reference for global assistance
- Certified by notifying bodies as per latest European standard
- Quality control: ISO9001:2015.
E.C. Quality of Production « Article 11B »
- Product liability insurance
- Warranty
- One-Stop-Shop



📍 Office building
Belval, Luxembourg



📍 Commercial mall
Luxembourg, Luxembourg



📍 Shipyard
Antwerp, Belgium



📍 Steel plant
Tuta, Colombia

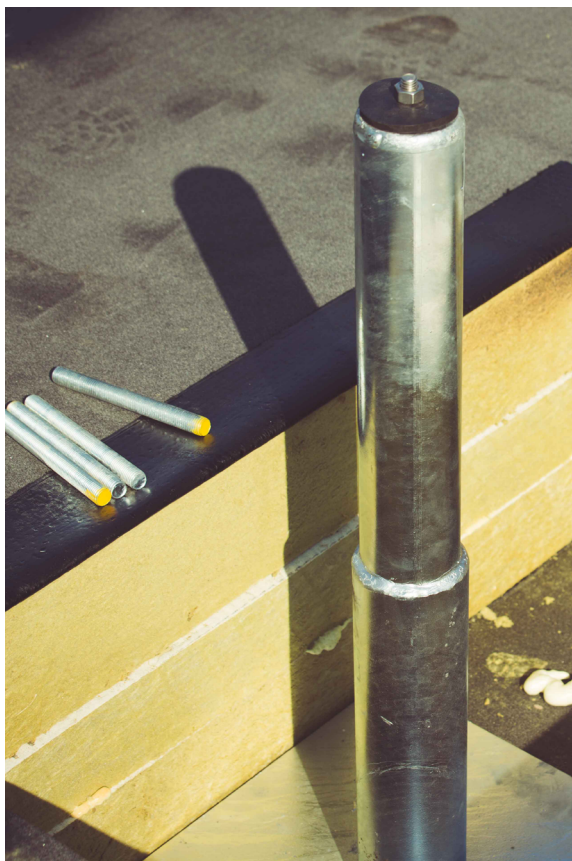




📍 Residence building
Bascharage, Luxembourg



📍 Commercial mall
Luxembourg



📍 Office Building
Geneve, Switzerland



FALLPROTEC SA

ZARO 2-4 Rue Gustave Loosé,
8346 Grass
Luxembourg
T: +352 26 55 09 30
F: +352 26 55 09 30 55
marketing@fallprotec.com

FALLPROTEC SL

Eduard Calvet i Pintó 4
Pol. Ind. Vallmorena
08339 Vilassar de Dalt
Spain
T: +34 93 114 22 31
info@fallprotec.es

+352 26 55 09 30
www.fallprotec.com

Follow us

fallprotec |    

FALLPROTEC

Height Safety Products

