

FALLPROTEC

Height Safety Products

+352 26 55 09 30 | www.fallprotec.com



FALLPROTEC
FOR AIRPORTS



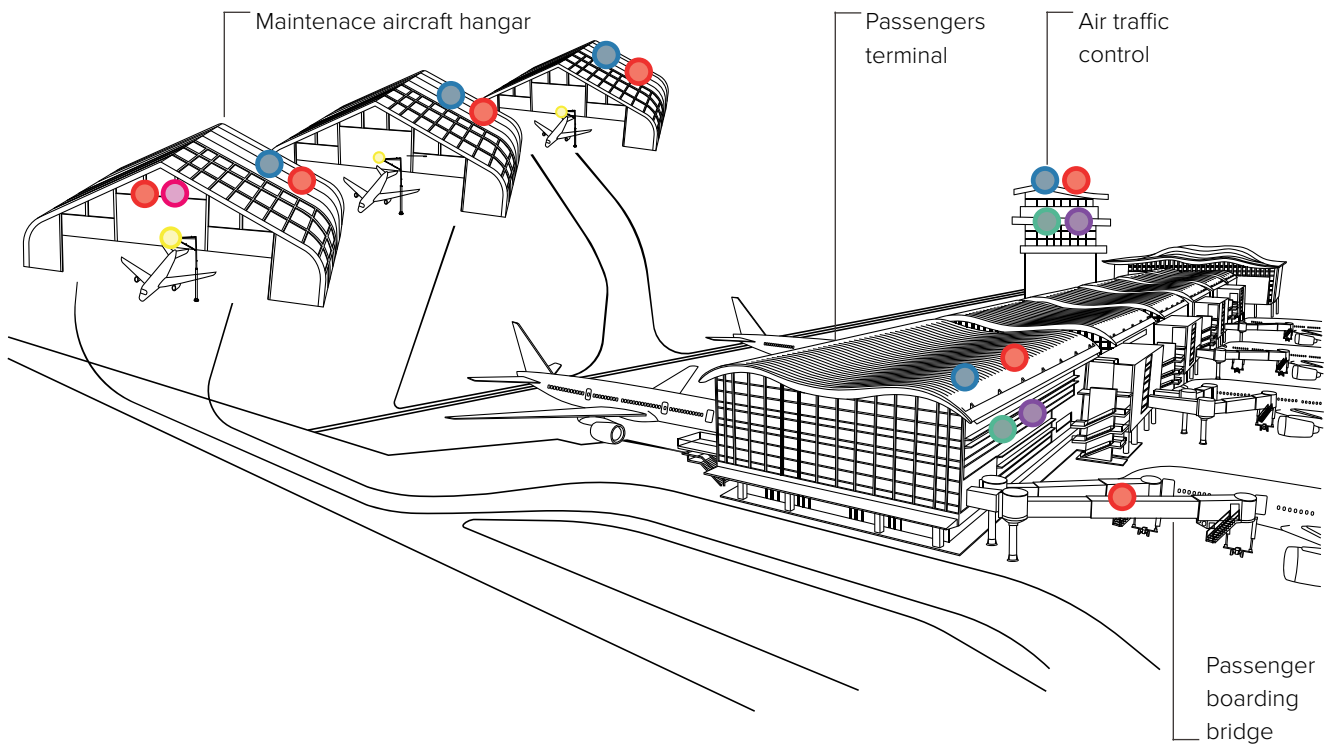


SOLUTIONS FOR WORK AT HEIGHT IN AIRPORTS

Airports are busy hubs with a lot of passage and a lot of technical equipment that require attentive care. They are also iconic buildings that display the cultural and economic power of a country. As a company specialized in high end architectural projects as well as industrial applications, Fallprotec offers personalized support from design stage to realization. Our range of solutions enable a safe access in heights for the passenger terminals, the control tower, and the aircraft maintenance facilities. Special attention is given to the regulatory frame, safety, ergonomics, and aesthetics.

If there is no collective protection to eliminate the risk of falling, workers must be provided with and trained in the use of appropriate fall protection equipment, such as lifelines and EPIs. Likewise, an appropriate and timely rescue should be provided to prevent suspension trauma.

- **SecuRope Horizontal (p. 5)**
- **SecuRail Pro Horizontal (p. 9)**
- **SafeAccess for suspended works (p. 13)**
- **SafeAccess fall arrest (p. 13)**
- **Self retractable lanyard (p. 17)**
- **RopeClimber hoist (p. 17)**



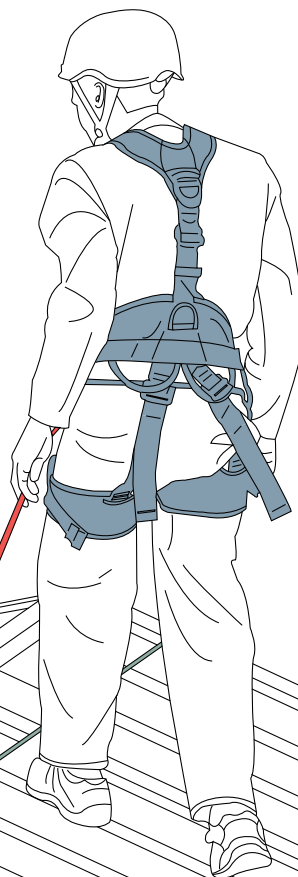
CHOOSING FALLPROTEC MEANS

- One reference for global assistance
- Certified by independent notifying bodies as per latest European
- Quality control: ISO9001:2015. E.C. Quality of Production « Article 11B »
- Product liability insurance
- Warranty
- One-Stop-Shop



Maintenance of the terminal roofs

Due to the nature of the activity, airport roofs are always sizeable. Their slopes, shapes and construction materials are very specific. Fallprotec supplies a comprehensive range of horizontal and inclined fall arrest lifelines, walkways and ladders for a safe and periodic maintenance. Depending of the application a Securail Pro rigid rail or a Securope 2012 cable lifeline is recommended.



—
Airport buildings comprehend a vast variety of roofs, from the terminal roof to the bridges connecting the the building to the airplanes. Fallprotec's fixing assemblies are suitable for all of them

The standing seam roof is the most common type of roof in airports. The Fallprotec bracket is simply clamped to the seam, thus avoiding any roof penetration. The Securope cable lifeline enables the worker to walk safely on large roofs without needing to disconnect at any point.

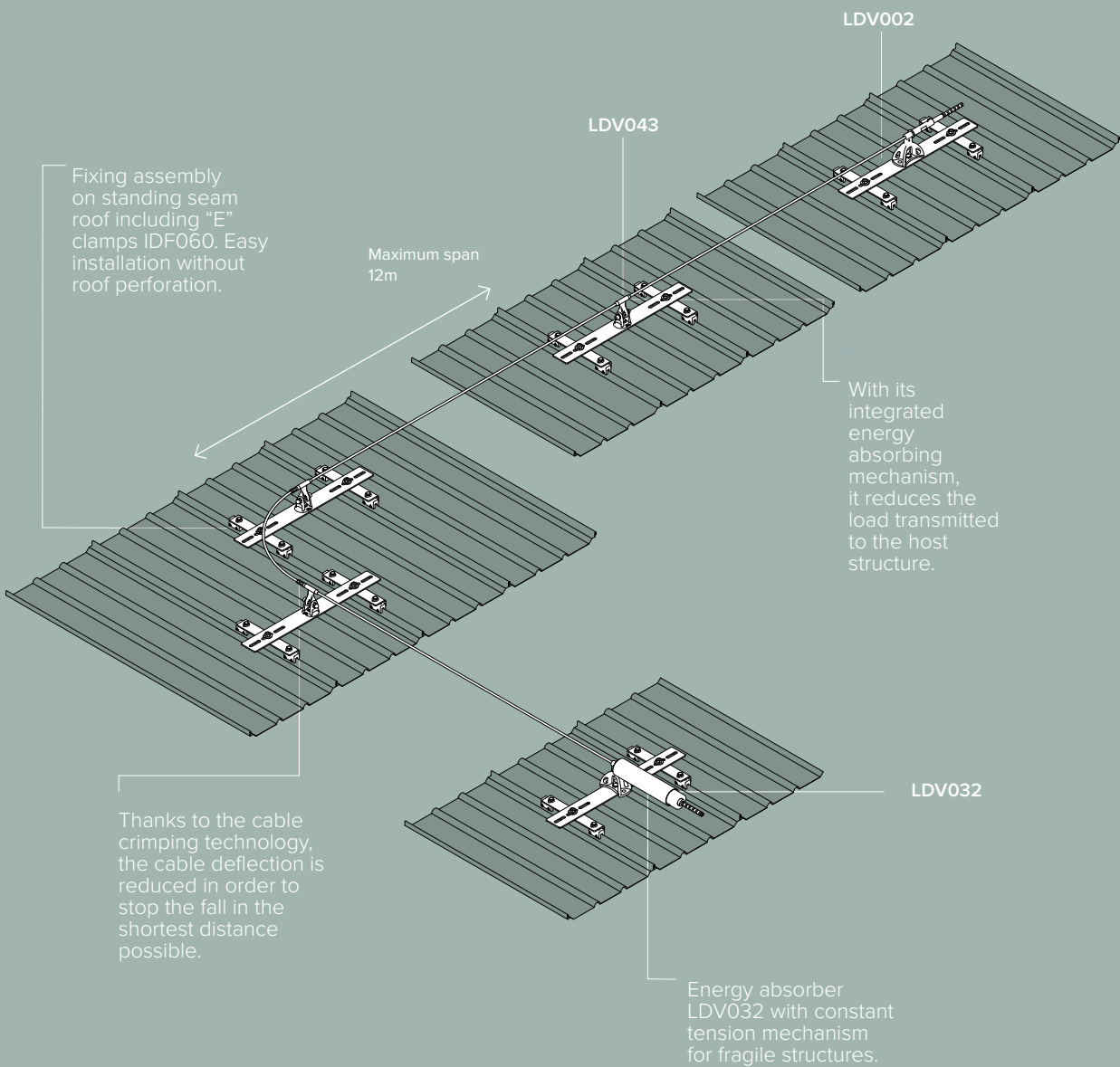


Click here to follow the product YouTube playlist

EN795:2012 Type C CEN/TS16415:2013



x 4
(2 users max. per span)



SecuRail Pro lifeline on ground or wall, configuration with a GRANVIA trolley RHF511. The wall configuration is often used in airports due to low fall clearance. Made of high resistance aluminium, the rail can be easily used in environments that request intensive use such as for instance aircraft maintenance.

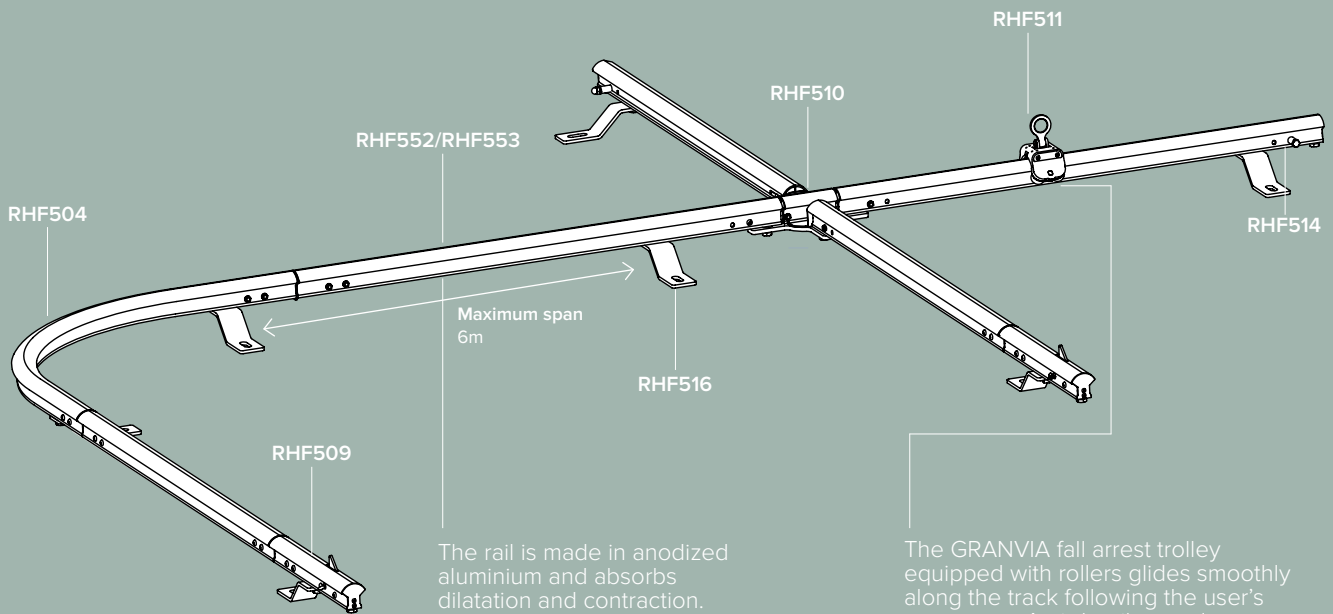
EN795:2012 Type D | CEN/TS16415:2013



Click here to follow the product YouTube playlist

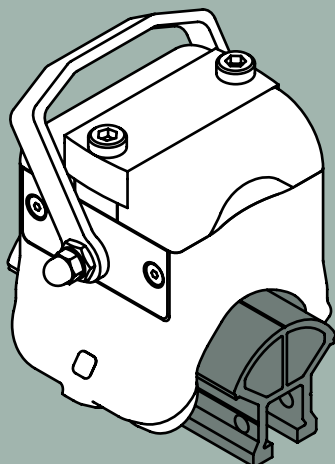


x 2



The rail is made in anodized aluminium and absorbs dilatation and contraction. Low deflection after activation.

The GRANVIA fall arrest trolley equipped with rollers glides smoothly along the track following the user's movement. Anti-derailment claws mounted between the rollers keep the trolley firmly on the track. The same trolley is used for ground, wall and ceiling configuration. The rollers enable a smooth gliding of the trolley.



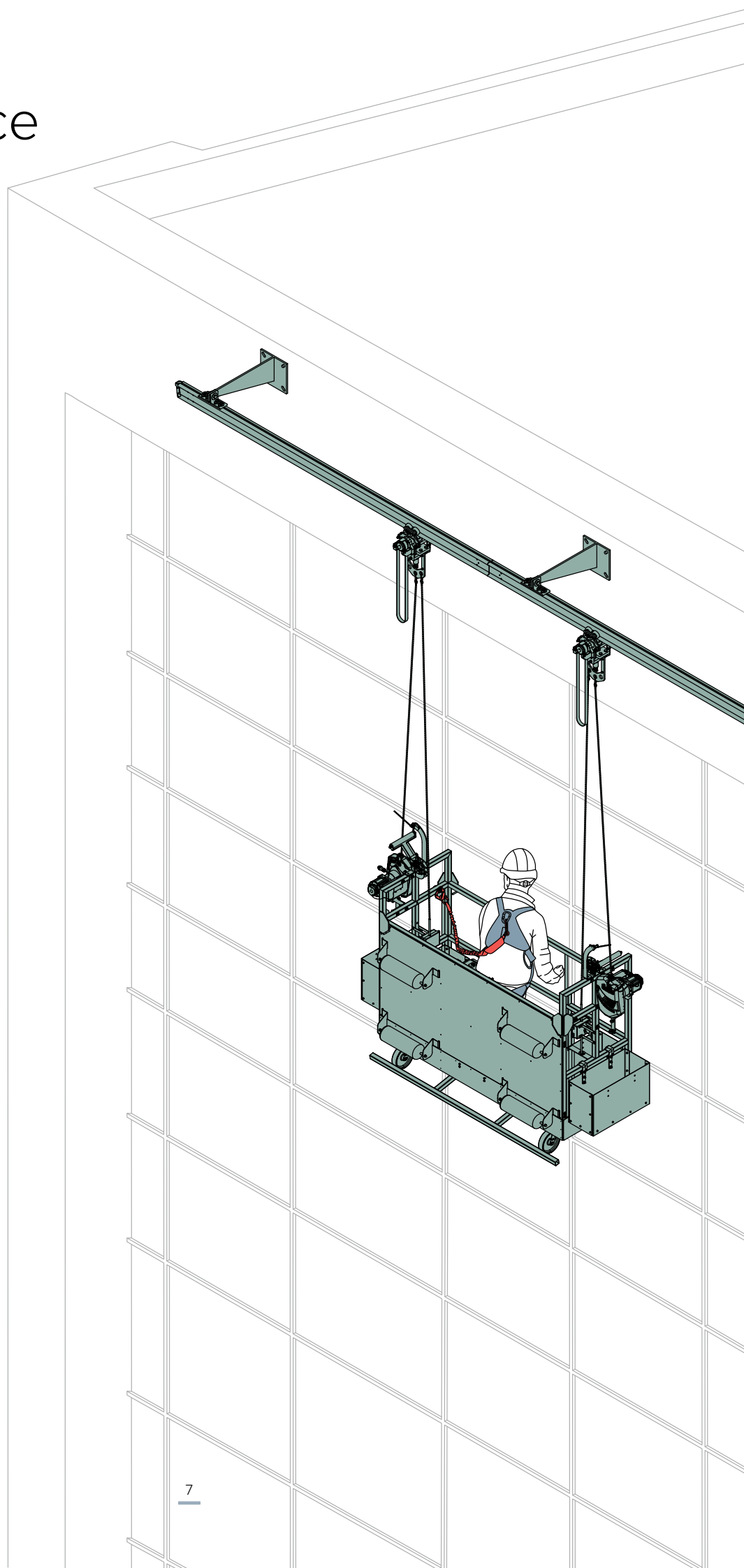
Overspeed Trolley

The new multidirectional trolley works either for inclined and horizontal lifelines. This allows the assembly of horizontal lifelines with sloped sections, all in one, avoiding the user's disconnection. Equipped with shock absorber, the installation is easy, directly on the rail.

Maintenance of facades

Airports often feature wide glass windows allowing for a lot of sunlight as well as for a direct vision of the incoming plane. The maintenance of these bays requests reliable solutions for safe and rapid cleaning as well as window replacement. The SafeAccess monorail combined RopeClimber platforms is a innovative solution that blends in the ceiling or canopy. The suspended platform with textile wire being much lighter, the system can be deployed rapidly, thus shortening the cleaning time. A battery Autonomous system, it doesn't require any electrified bus bar or cumbersome electric power supply cables.

—
Outer and inner facade maintenance requires reliable solutions with limited obstruction of the ground.



The SafeAccess monorail is fixed by custom brackets depending of many parameters. The brackets are either ground, wall, or ceiling fixed.

Grey RAL7040 powder-coated Aluminium EN AW 6060 T66, resisting sea side. Low weight (5kg/m) and maximum inertia. Bendable on demand (minimal radius of 600mm).

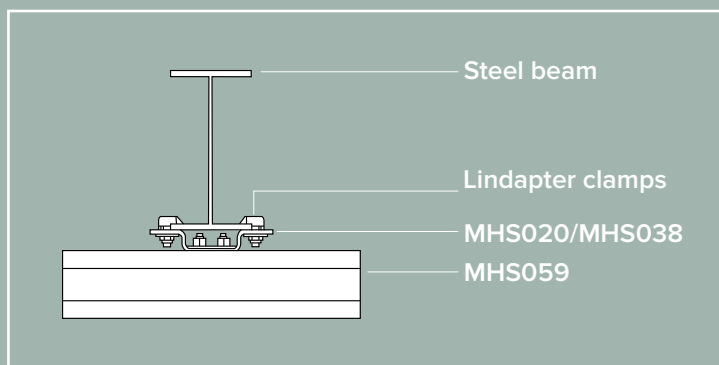
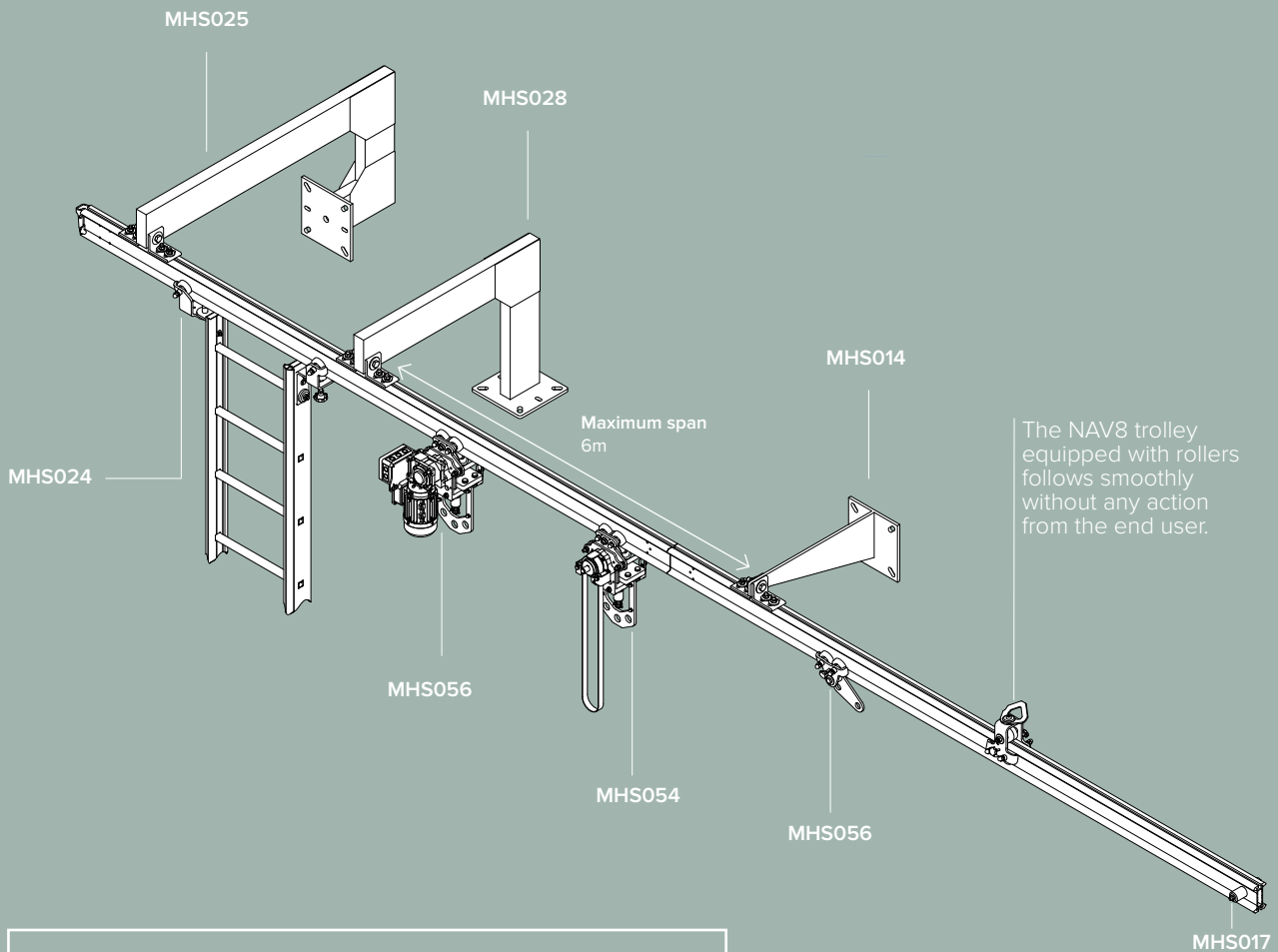


Click here to follow the product YouTube playlist

EN1808:2015

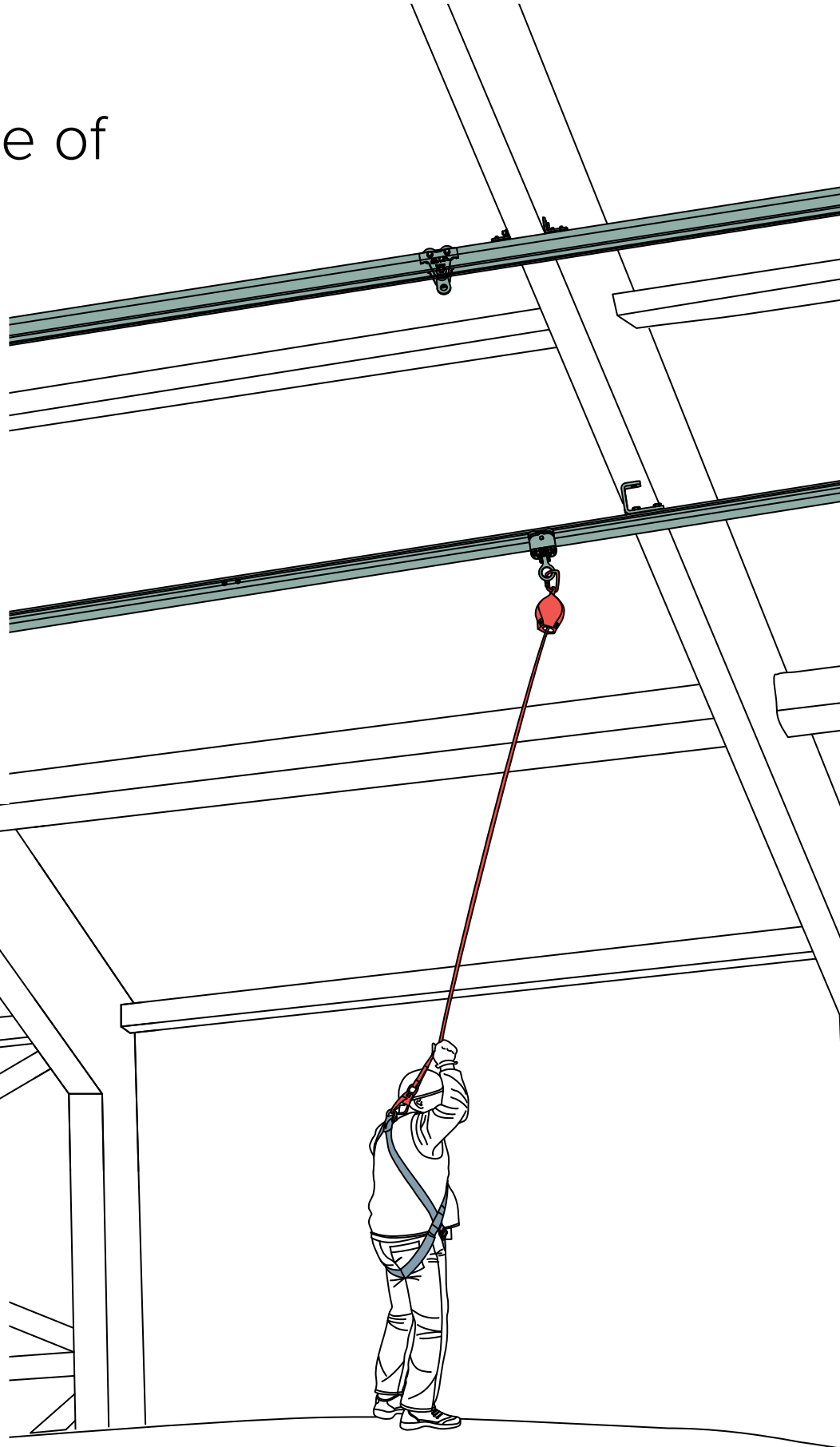


X 2 for rope access between supports



Maintenance of Planes

Airplanes have a height going up to 24m. In order to repair the upper side safely, workers have to use personal fall arrest equipments as it is difficult to place guardrails to secure maintenance. The SafeAccess and the SecuRail Pro rail are often used for intensive maintenance halls and when the ceiling is very high. The fall arrest trolley rolls very smoothly and follows the user at each step.



—
Airplane maintenance includes a low fall clearance due to several staff and machines working simultaneously. Fallprotec recommends installations with fall factor 0.

SafeAccess rail for fallarrest

The SafeAccess can be used for fall arrest in many combinations: ground, wall, ceiling or jibs above a loading bay. The robust design suits intensive applications, the rail remains usable years after being installed. In case of a fall, it is one of the very few systems where there will be no need to replace any part. Combined with a safety block enables the safest possible fall arrest.

EN795:2012 Type D | CEN/TS16415:2013 | EN1808:2015



x 4
(2 users with Flexbow)

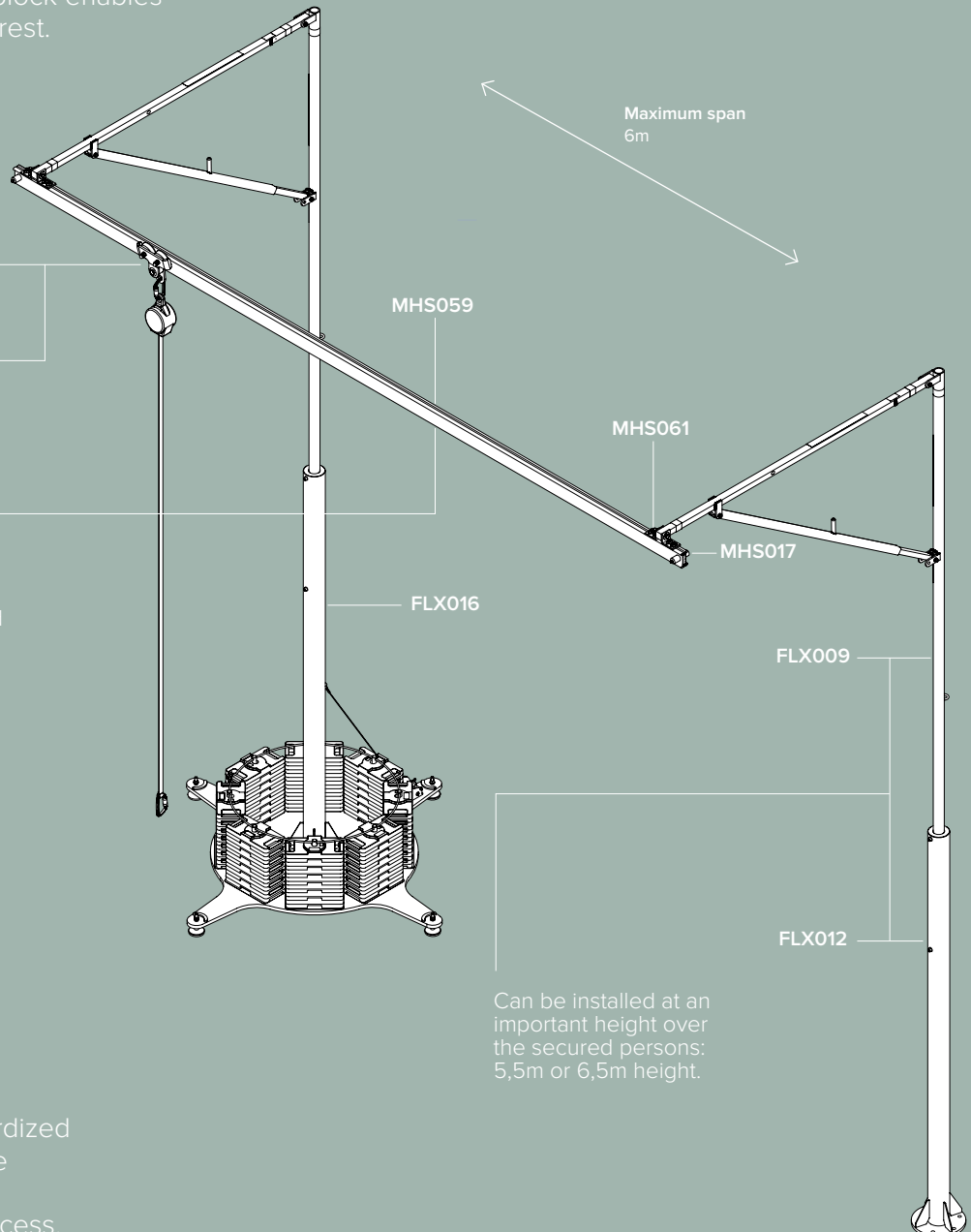


Click here to follow the product YouTube playlist

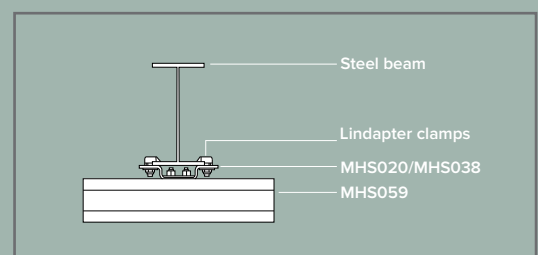
The NAV2 trolley equipped with rollers follows smoothly without any action from the end user.

Low deflection of the rail: max 200mm if the junction is 3000mm from the bracket. Grey RAL7040 powder-coated Aluminium EN AW 6060 T66, resisting sea side (Qualicoat class 1 category 3, licence P-0554) or anodized 15µ. Low weight (5kg/m) and maximum inertia. Bendable on demand (minimal radius of 600mm)

The Flexbow is a standardized outrigger beam to secure machinery, often used in combination with SafeAccess. Equipped with an integrated energy absorber, it is a lightweight and yet robust design for industrial applications with a minimum fall clearance of 4m. Several configurations (mobile, fixed on ground, fixed on wall...) are available.

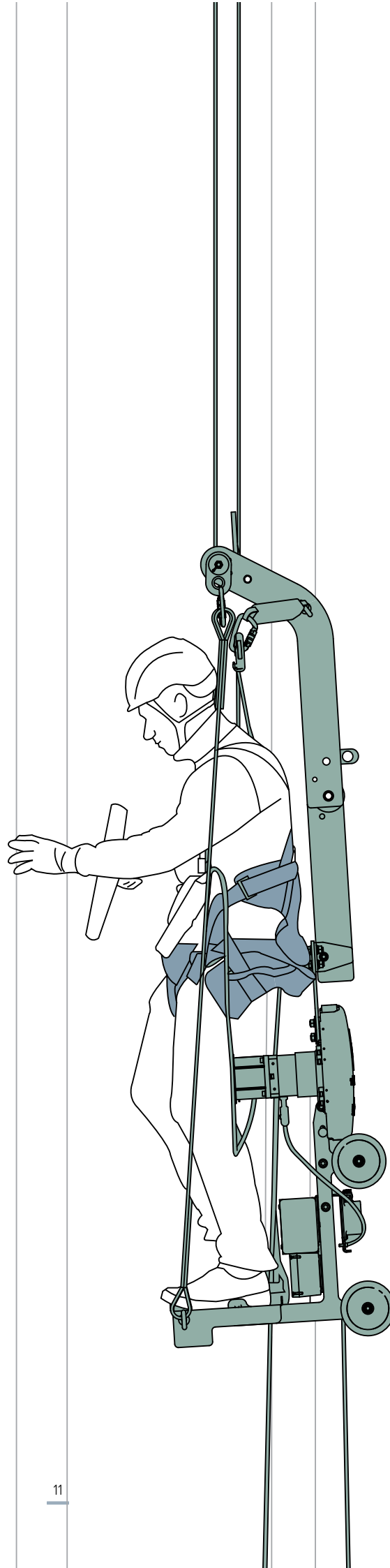


Can be installed at an important height over the secured persons: 5,5m or 6,5m height.



Inner and outer building maintenance

In big airports there is 3m distance between false ceiling & real roof. Sprinklers, ventilation and various conducts are installed in this area. In order to reach these zones, as well as complex areas, the RopeClimber is an easy solution. It is usable by any person following a half-day course and can reach narrow spaces without outside help.



—

The maintenance requirements and conditions can vary a lot within one airport building, from large surfaces to very specific, not that easily reachable areas such as duty free facades. Fallprotec offers a range of solution to match each request.

The RopeClimber Bosun Chair is designed for lifting one person to safely access heights on buildings or structures.



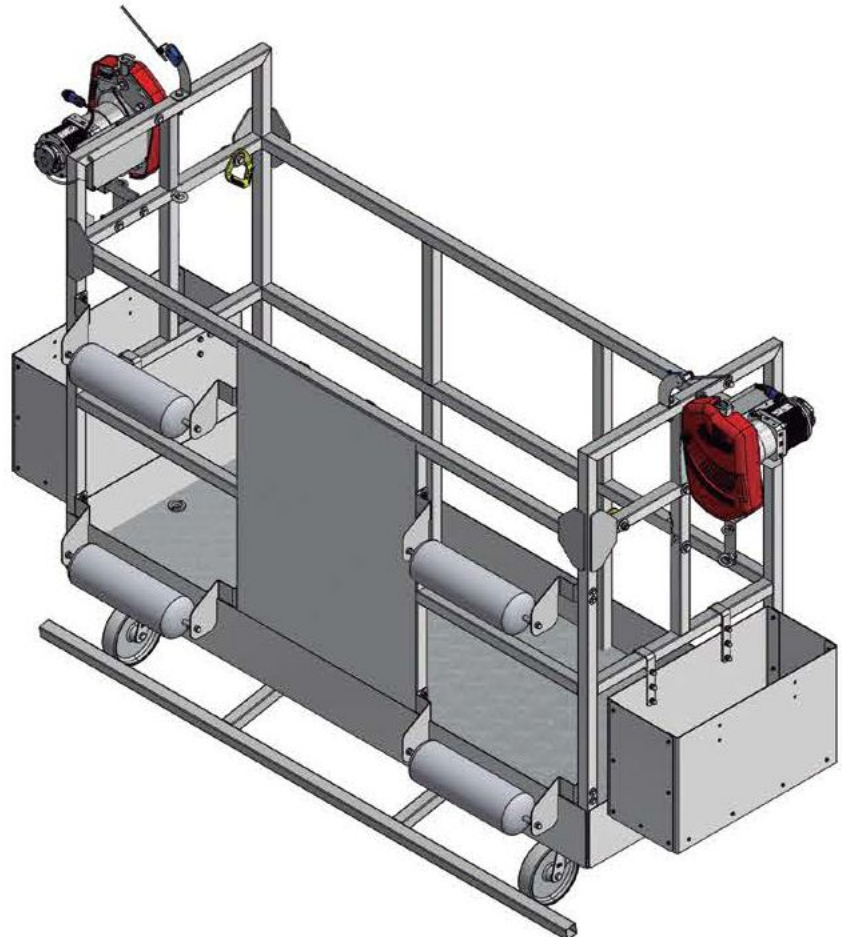
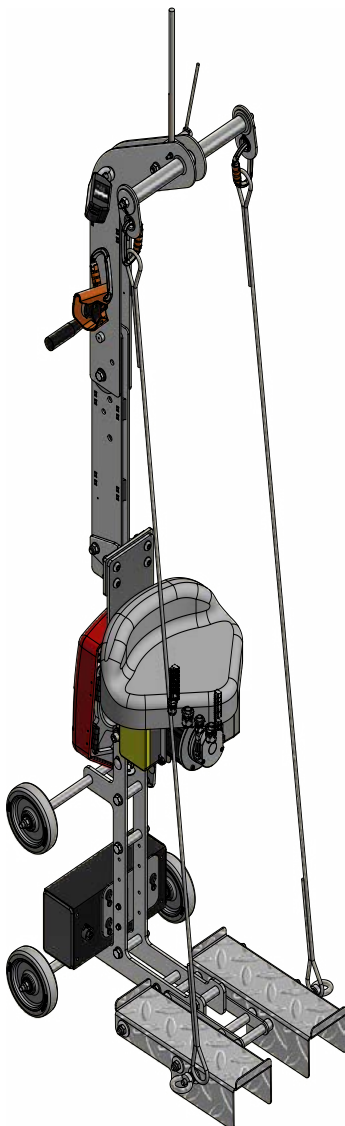
Click here to follow the product YouTube playlist

- Light and compact system
- Ergonomic
- Quick to pick up and install
- Battery powered
- Integrated safety devices
- Can be controlled from the distance (radio control)
- Compatible with davits and rails
- Several configurations : BackPack, Stand seat, cradle...

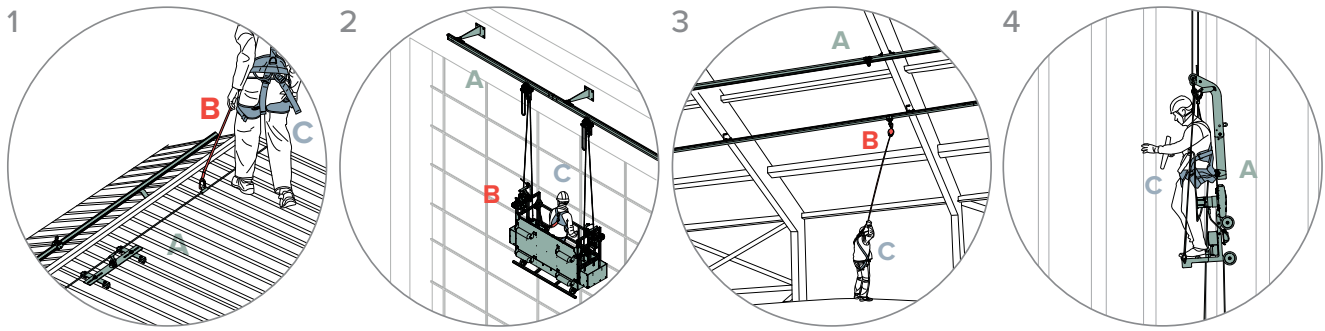
Compliant with Directive 2006/42/EC
EN1808:2015 / EN60204-1



x 1



Fall protection & Access equipment



A

Anchorage:

Structure capable of supporting 6kN per user attached as part of a complete personal fall arrest system which maintains a safety factor of at least two.

Fallprotec lifeline systems:

- 1) SecuRail Pro Rail Lifeline; or SecuRope Cable Lifeline
- 2) SafeAccess Rail for works in suspension
- 3) SafeAccess C Rail & SecuRail Pro for fall arrest
- 4) RopeClimber

All systems are suitable for intensive use in complex environments. Its components are reliable and durable.

Fixing brackets:

Fallprotec's internal engineering department offers bespoke fixation assemblies, adapted to various beam sizes and distances between them and walkways.

Access systems:

RopeClimber as cradle, Backpack or Standing Chair. Reaches all sides of complex structures. A good alternative to rope access specialists.

B

Connecting Devices

PPE Equipment with energy-absorbing element to reduce the energy transmitted to the user's body in the event of a fall. Products such as shock absorbing lanyards or self-retracting lifelines connect a worker's harness to the anchorage.

Fallprotec PPE:

- 1) Elastic single and double lanyards of 1,5m or 2m length.
- 2) Self-retractable fall arresters from 2 - 65m length, with aluminium casing, webbing strap or galvanised steel rope.

C

Body Support

A safety harness is a personal protective equipment (PPE) that is designed to catch a person in the event of a fall while working at height. Our full body harness distributes fall arrest forces across the shoulders, thighs and pelvis.

Body support Harnesses



Harness Prolight
HAR001 / 002 / 003

EN361:2012

 x 1	 120
---	---

Resistant, lightweight fabric.
Comfortable for the user.

Connecting devices - SRL



Complete range of self retractable lanyard
with aluminium casing and galva steel rope
IHWS

EN354/355/362

 x 1	 3,70
---	--

Available with webbing strap or galvanised steel cable. The spring mechanism keeps a constant tension on the lanyard, facilitating the movement of the user. Certified for ceiling, wall and ground configuration; enable the user to reach areas further away from the lifeline.

The overspeed system stops a fall in a very short distance. The integrated energy absorption mechanism ensures that the maximal force transmitted to the end user is 6kN.






They can stop a fall within the first centimeters while absorbing the energy of it. Combined with SafeAccess, it is the safest fallarrest system by minimum fall clearance.

Connecting devices - Lanyards



Elastic lanyard 2m, energy absorber fitted with pivoting carabiner and hook 60mm opening
HAR076

EN354/355/362

 x 1	 0,60	 2m
 x 1 20mm opening Aluminium	 x 1 60mm opening Aluminium	



Single lanyard 2 m with energy absorber and 2 twist lock carabiners opening 20mm
HAR010






EN354/355/362

 x 1	 0,50	 2m
 x 2 20mm opening Zinc plated steel		



Double elastic lanyard 2m with energy absorber Material 2 carabiners opening 60 mm in alu+ 1 automatic carabiner in zinc plated steel
HAR077




EN354/355/362

 x 1	 0,80	 2m
 x 1 20mm opening Zinc plated steel	 x 2 60mm opening Aluminium	



Double lanyard 1,5 m fitted with energy absorber and 3 twist lock carabiner opening 20mm
HAR016

EN354/355/362

 x 1	 0,79	 1,5m
 x 3 20mm opening Zinc plated steel		

Fallprotec's products installations in airports

Fallprotec's internal engineering department had offered bespoke solutions for many sites, while working with a worldwide network of specialized installers, in order to master the complete process of securing plants against the risk of fall.

The scope of offered services includes risk assessments, site surveys, engineering, installation, commissioning, inspection and maintenance.

[Click here to view more case studies worldwide on our website](#)



📍 Geneva airport
Geneva, Switzerland



📍 Los Angeles airport
Los Angeles, USA



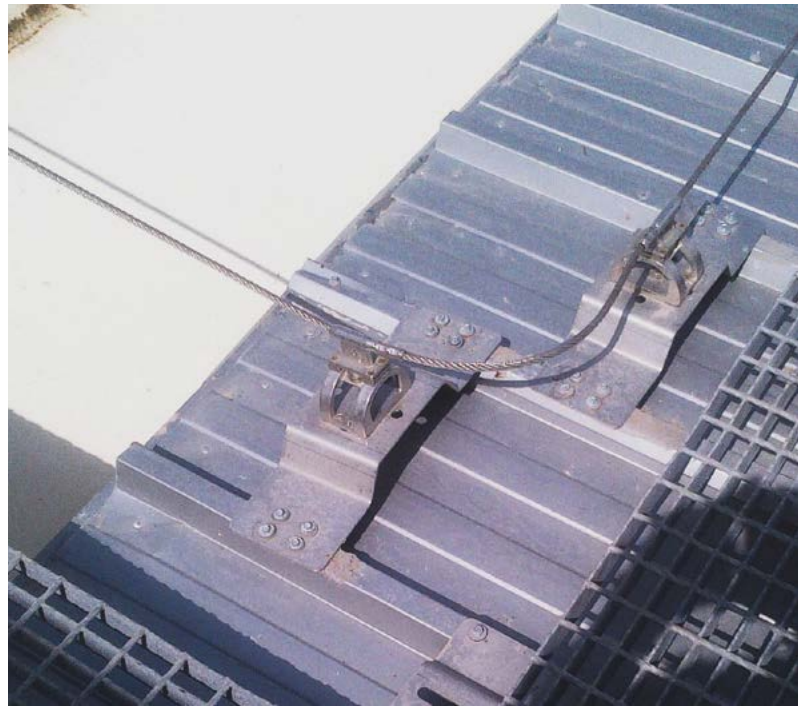
📍 Changi airport
Singapore, Singapore



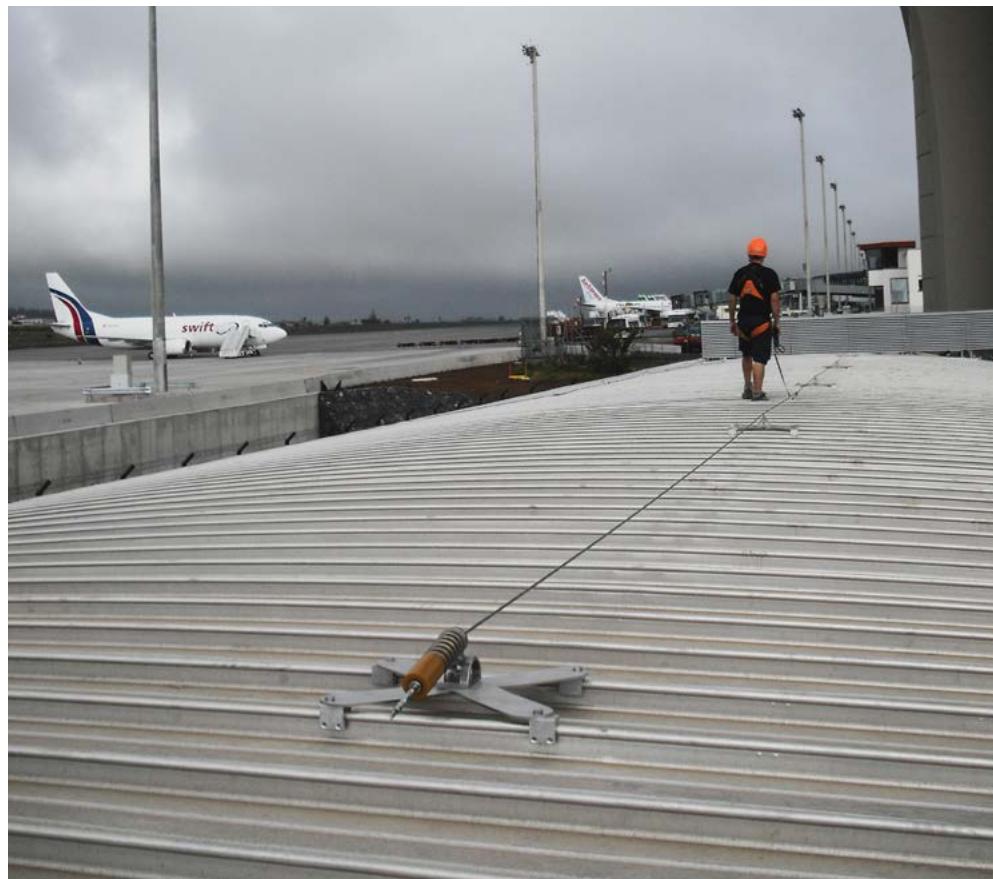
📍 Muscat Airport
Muscat, Oman



📍 Doha airport,
Doha, Qatar



📍 Tenerife Airport
Tenerife, Spain



FALLPROTEC SA

43-45 ZA Op Zaemer
4959 Bascharage
Luxemburgo
T: +352 26 55 09 30
F: +352 26 55 09 30 55
marketing@fallprotec.com

FALLPROTEC SA

Eduard Calvet i Pintó 4
Pol. Ind. Vallmorena
08339 Vilassar de Dalt
España
T: +34 93 114 22 31
info@fallprotec.es

FALLPROTEC CHINA

Habitación 213, Edificio 6
No. 398, Jinglian Road
Distrito Minhang
Shanghai, China

T: +86 21 3126 8606
F: +86 21 2281 0168

+352 26 55 09 30
www.fallprotec.com

Follow us

fallprotec |    

FALLPROTEC

Height Safety Products

