

March 2022

Description

Fallprotec has designed the Multipost and the SpotAnchor for fixing the Securope life line on hot deck roofs. A hot deck roof is a corrugated sheet covered by an insulating material and a membrane. Fixed by a reinforced toggle bolt, the fixation assemblies distribute the forces on a large surface.



ANSI Z359.6



Compliant with EN 795:2012
C EN/TS 16415:2013
MADE IN EU

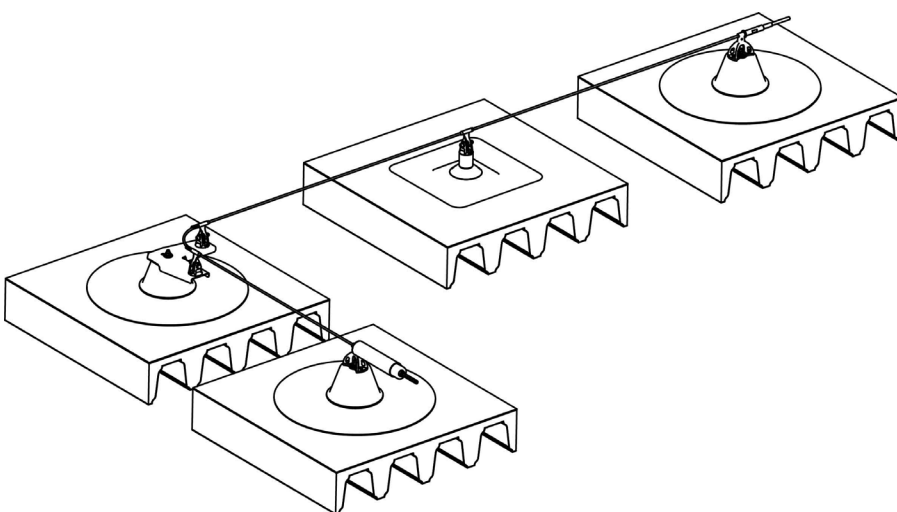


Advantages

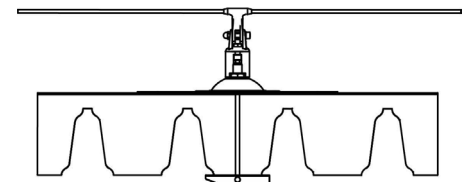
- For 2 users
- The post absorbs a fraction of the energy
- Easy to retrofit on existing buildings
- Guaranteed waterproofness thanks to a roofing collar

Technical specifications

Delivered with an installer and user manual.
Material: Stainless steel, collar in bitumen or PVC



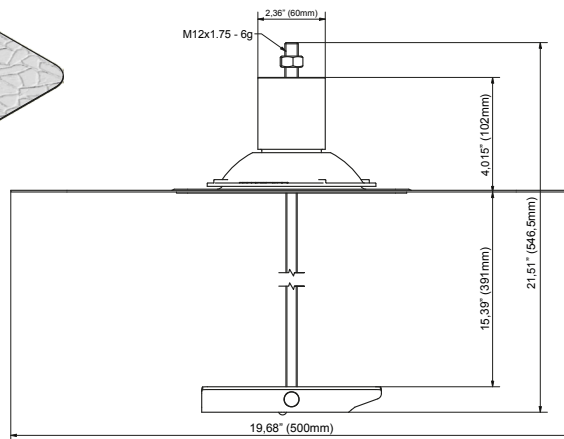
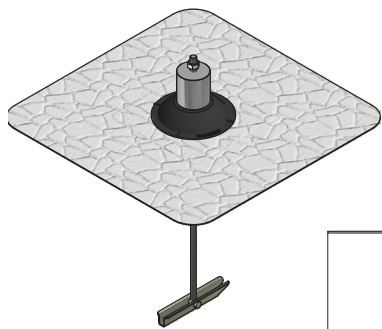
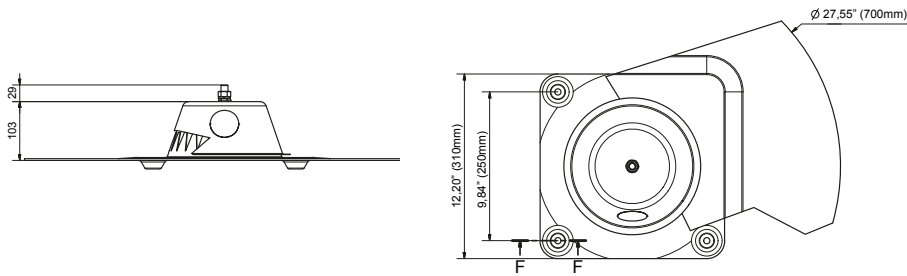
Lifeline on hot deck



March 2022

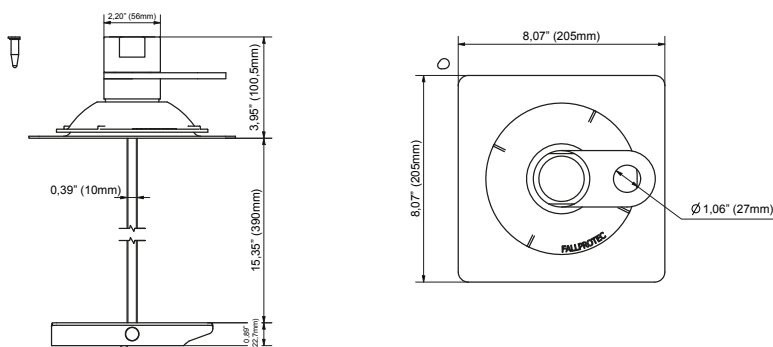
IDF022

Fixation assembly for hot deck



LDV092

Fixing assembly for intermediate anchors on hot deck



LDV077

Anchor point for hot deck

Applications

