

## Securail 2016 on cold deck

Securail 2016 sur bac acier

Securail 2016 sobre chapa metálica ondulada y paneles compuestos

Securail 2016 auf Trapez- und Wellblech

# FALLPROTEC

May 2018

## Description

The fixing of SecuRail 2016 is a recommended solution for corrugated metal roof, especially for following applications :

- Installations with solar panels, as the rail takes less space than the cable lifeline assembly system
- Installations with strong slopes (above 25°), as the system can be used for work in restraint with a span of 3m

## Advantages

- Undeformable
- Span of 6m or 3m in restraint
- Absorbs dilatation and contraction of roof sheets
- Supplied with self-drilling screws and EPDM roofing system that ensures the integrity of the waterproofing membrane

## Technical specifications

Delivered with installer and user manual

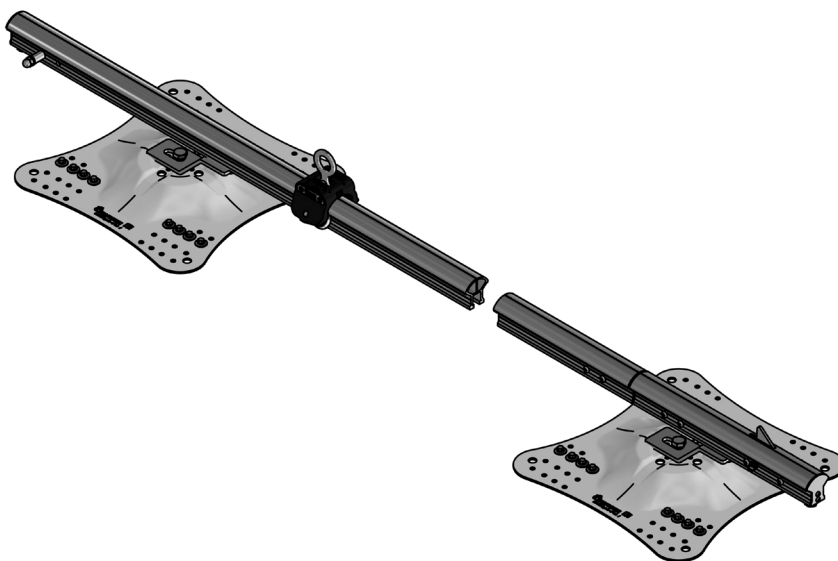
Material: Anodized Aluminium EN AW6060T6, steel and waterproofing tape



Compliant with EN 795:2012 type D  
CEN/TS 16415:2013  
MADE IN EU



x 2



## SecuRail 2016 on cold deck roof