

Securail 2016 clamped on beam

Securail 2016 bridé sur poutre

Securail 2016 anclado a la viga

Securail 2016 auf Balken festgelegt

FALLPROTEC

May 2018

Description

The SecuRail 2016 can be clamped to horizontal or vertical steel beams. It is installed on walls or ceilings in industrial facilities for maintenance of gantry cranes, machineries or vehicles.

Advantages

- Limited deflection (max 30cm)
- Span of 6m
- Custom made solution adapted to the project's beams and potential obstacles (ventilation pipes, sprinklers)
- Smooth movements along the lifeline
- Protects the fixing support (max 6 kN)
- Preserves the integrity of the beam



Compliant with EN 795:2012 type D
CEN/TS 16415:2013
MADE IN EU

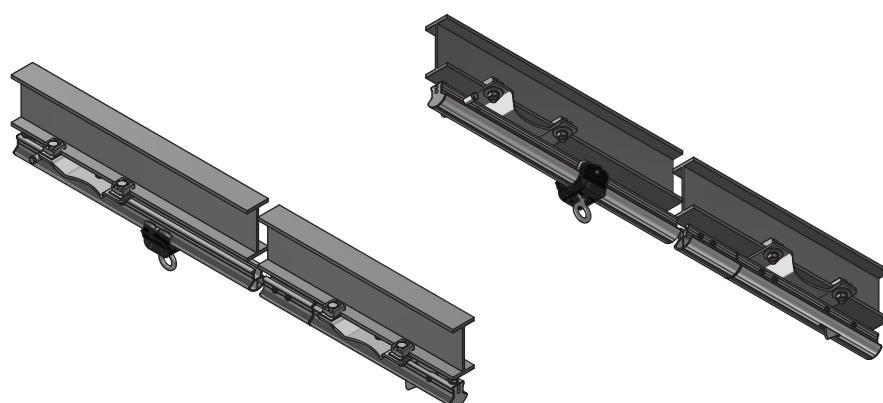


x 2

Technical specifications

Delivered with installer and user manual

Material: Anodized Aluminium EN AW6060T6 and stainless steel



SecuRail 2016 clamped on beam