

**FALLPROTEC**

Height Safety Products

+352 26 55 09 30 | [www.fallprotec.com](http://www.fallprotec.com)

**FALLPROTEC**  
**SECURAIL PRO ABSEILING**







📍 Pusztavacs, Hungary

# RIGID RAIL FOR ROPE ACCESS

EN795:2012 Type D  
CEN/TS 16412:2013

The Fallprotec Securail Pro is a height access rail that is both rigid and highly versatile.

The Securail Pro is an aesthetic solution for facade access maintenance by rope access technicians.

It's a suitable solution for atriums, courtyards or facades.

# Engineered rail for rope access

The Securail Pro lifeline has been tested and certified according to European standards.

- Up to 2 users
- Distance between brackets 1,5m
- 1,7kg/m
- Low deflection
- Anodized aluminium
- Absorbs dilatation / contraction
- Can be powder-coated in custom chosen RAL colours
- Possibility of custom-made solutions with the Fallprotec's engineering department



Applications:



Industry



Buildings



Abseiling

# Securail Pro for Abseiling

The Securail Pro is a rigid rail compatible with rope access activities.

Each element of the rail withstands a minimum breaking load of 15kN as required in rope access guidelines.

This compact profile, blends into the architectural design, while allowing the rope access specialist to reach any point of a facade.

EN795:2012 Type D | CEN/TS16412:2013



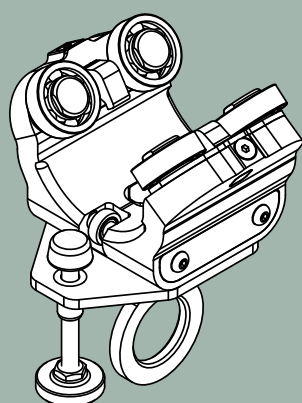
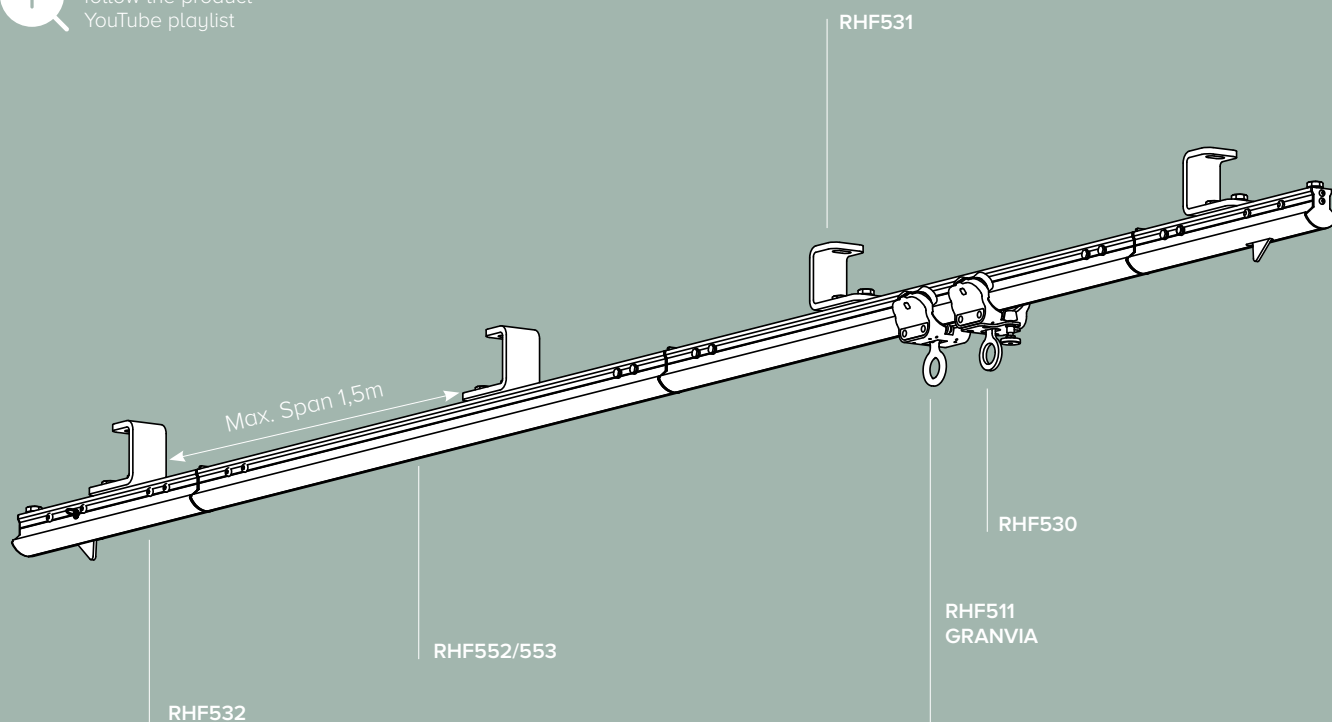
x 2

ALU  
6060

apave



Click here to  
follow the product  
YouTube playlist



RHF5530  
GRANVIA for rope access

The rope access specialists connect their main suspension rope to this trolley, gliding easily along the rail thanks to its stainless steel rollers. Fitted with a brake to lock the trolley and ensure a stable working position of the end user.



# Trolley Granvia



## Trolley Granvia - RHF511

The Granvia is used on the Securail Pro for holding the safety rope.

The GRANVIA fall arrest trolley equipped with rollers glides smoothly along the track following the user's movement. Anti-derailment claws mounted between the rollers prevent the trolley from disconnecting from the rail, in the event of a fall.

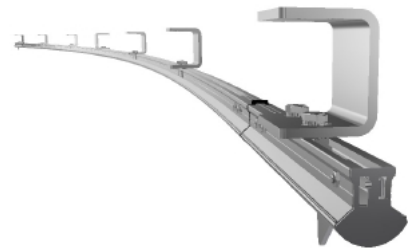
The same trolley can be used whether the rail is installed on ground, wall or ceiling.

# Rigid fixing assembly



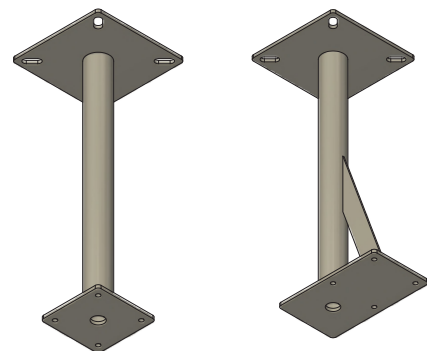
## RHF531

Standard Bended plate with two fixing nuts.  
For fixing on concrete or steel structure.

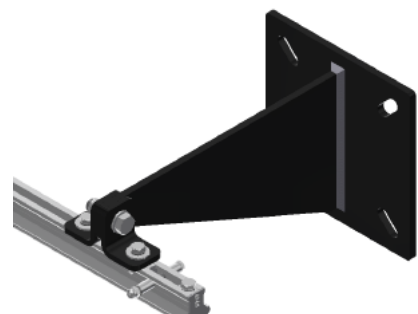


## Custom bracket for ceiling

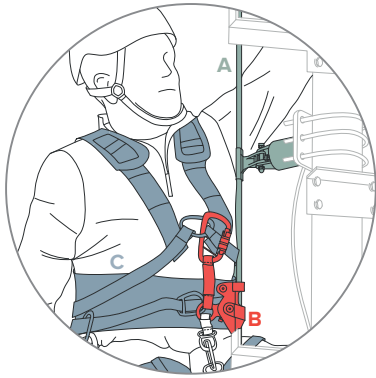
Ceiling posts if the distance between concrete and false ceiling is greater than 200 mm.



## Custom bracket for wall



# Mounting equipment



**A**

## Anchorage

Structure capable of supporting an abseiling activity.

## Fallprotec lifeline systems:

The SecuRail Pro Lifeline is are suitable for intensive use in complex environments. All components are in stainless steel or anodized aluminium for greater durability.

## Fixing brackets:

Fallprotec has designed an entire range of fixing assemblies suitable for most structure types.

The internal engineering department of Fallprotec also offers bespoke fixation assemblies on demand.

**B**

## Connecting Devices

PPE Equipment connecting the operator to the system, maintaining them during their activity.

The PPE are designed to limit the energy transmitted to the user to a maximum of 6KN.

## Fallprotec PPE:

RHF511:

Trolley usable for ceiling configuration capable of withstanding the weight of a user, used for the safety rope.

RHF530:

Trolley equipped with a brake for abseiling works. Always used in combination with a RHF511 trolley.

## Descender for controlled descend on suspension rope in aluminium

HAR016



EN341

x 1

0,52

**Fall Arrest device ASAP fall arrester on textile rope with energy absorber**  
For Ø11 mm semi static rope  
HAR095



x 1

0,75

**C**

## Body Support

A safety harness is a personal protective equipment (PPE) that is designed to hold a person during their works. Specific abseiling harnesses enable comfortable work in suspension.

## 5 points harness for suspended works

HAR066 (S-M)  
HAR067 (L-XL)  
HAR068 (XXL-XXXL)



EN361:2012

x 1

5 anchor points, lightweight harness.

## Seat for rope access specialists

HAR014



EN358/361/813

x 1

Material glued laminated wood.

## Ergonomic helmet for works at height

HAR087



EN12492

x 1

# Fallprotec's Securail Pro horizontal worldwide

[Click here to view more  
case studies worldwide  
on our website](#)



## CHOOSING FALLPROTEC MEANS

- One reference for global assistance
- Certified by notifying bodies as per latest European standard
- Quality control: ISO9001:2015.  
E.C. Quality of Production « Article 11B »
- Product liability insurance
- Warranty
- One-Stop-Shop



📍 Cosmetic factory  
Pusztavacs, Hungary

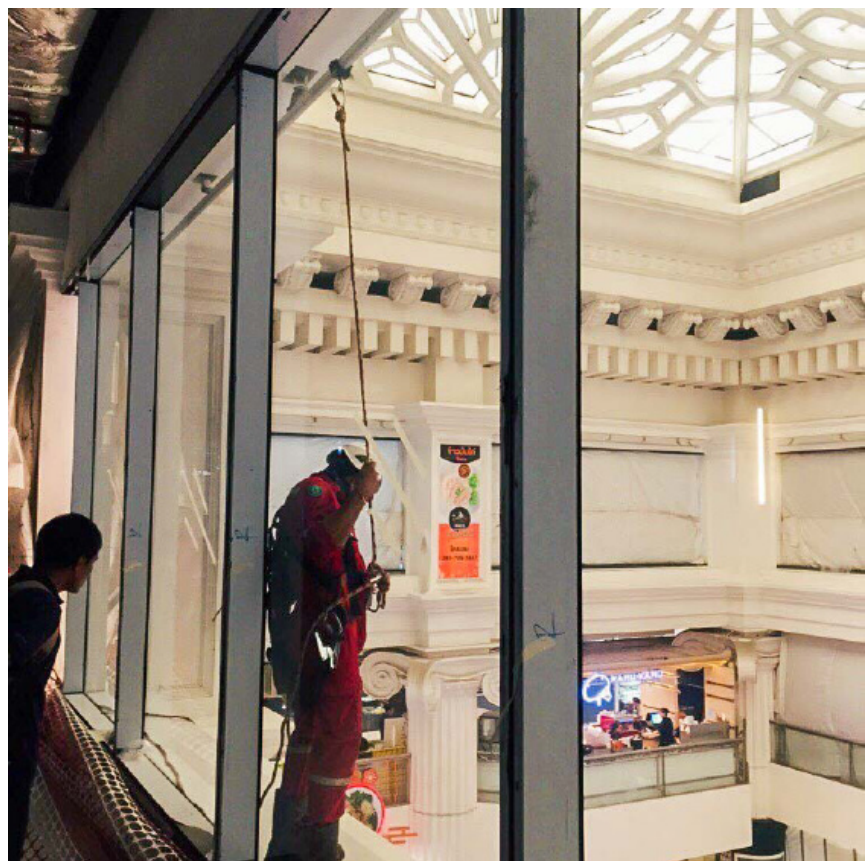


📍 Residence building  
Lussane, Switzerland





📍 Shopping Center  
Bangkok, Thailand





**FALLPROTEC SA**

ZARO 2-4 Rue Gustave Loosé,  
8346 Grass  
Luxembourg  
T: +352 26 55 09 30  
F: +352 26 55 09 30 55  
marketing@fallprotec.com

**FALLPROTEC SL**

Eduard Calvet i Pintó 4  
Pol. Ind. Vallmorena  
08339 Vilassar de Dalt  
Spain  
T: +34 93 114 22 31  
info@fallprotec.es

+352 26 55 09 30  
[www.fallprotec.com](http://www.fallprotec.com)

Follow us

fallprotec |    

**FALLPROTEC**

Height Safety Products

